

## Application

Beam style	well-defined, flat field profile projection
Suitable for	theatrical sets, stages, TV studios, commercial and art displays, schools, worship venues, cruise ships or architectural applications
Specification level	professional range
Beam angle	8°- 22°
Typical throw distance	4 – 22m

## Electrical specifications

Light source	150W LED, white
Supply Volts	100/260V AC single phase
Frequency / Current	50/60Hz – 0.7A @ 230V AC 1.45A @110V AC
Power consumption	150W at full power
Cable/connection	2m mains cable with fitted Neutrik power-con IN and OUT, supplied
Standards Compliance	EN60598-2-17, CE marked

## Mechanical specifications

Construction	extruded aluminium and sheet steel
Mounting & suspension	steel stirrup 12mm centre hole + DIN mounting.
Handle	rear
Weight/Packed weight	17.3 kg / 19.7 kg
Colour frame	metal, 185 x 185mm, supplied

## Operational specifications

Focus adjustment	slide zoom controls (dia and softness) at side
Beam shaping	4 shutter blades, supplied; iris diaphragm, accessory
DMX channels / connection	1 to 3 ch / XLR5 connectors, IN/OUT
Colour	white, single source, no colour shift in fading
Dimming	manual, from rear panel or remote, 8 or 16 bits, via DMX
LED temperature	built-in sensor for real time monitoring
Ambient temperature	35°C max.
Fan speed control	3 modes available: Silent /Auto/Constant
Fade curve	2 curves (linear, square)
LED Frequency	16KHz - flicker-free
LCD display	set-up, dmx, monitor, diagnostic
RDM	integrated

## Optical specifications

Optical system	double condenser with variable zoom
LED array	150W, white, round-shaped, replaceable
Rated LED life	50,000 hours at 25°C, , maintains 70% of original intensity
Beam colour temperature	3200K or 5600K
CRI (Colour Rendering Index)	>90

## Accessories

Metal colour frame	■ 20100106	□ 20100106B	■ 20100106C
Iris diaphragm	20100707	Gobo holder, A/B metal	20100807
Hook clamp	20100900	Safety bond	20101300

## Photometric data

### Spot 3200K – 128 lm/W (at 1440mA)

Beam dia.	0.6	0.8	1.1	1.4	1.7	2.0	2.2	2.5	2.8	3.1	m
Lux	11780	5235	2945	1885	1309	962	736	582	471	390	
Distance	4	6	8	10	12	14	16	18	20	22	m

### Flood

Beam dia.	1.6	2.3	3.1	3.9	4.7	5.4					m
lux	4640	2062	1160	742	515	379					
Distance	4	6	8	10	12	14					m

### Spot 5600K – 134 lm/W (at 1440mA)

Beam dia.	0.6	0.8	1.1	1.4	1.7	2.0	2.2	2.5	2.8	3.1	m
Lux											TBA
Distance	4	6	8	10	12	14	16	18	20	22	m

### Flood

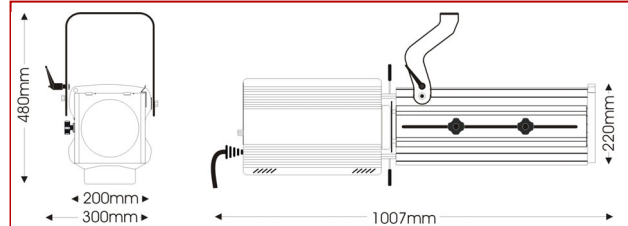
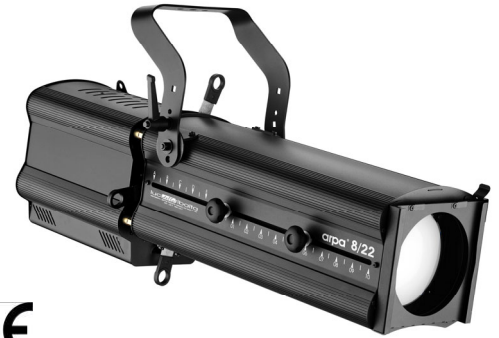
Beam dia.	1.6	2.3	3.1	3.9	4.7	5.4					m
Lux											TBA
Distance	4	6	8	10	12	14					m

LUCI DELLA RIBALTA PROFESSIONAL LIGHTING PRODUCTS

# arpa 8/22

150W, 100/260VAC, DMX512 + RDM  
narrow-angle led profile

part # ■ 01154020 □ 01154021 ■ 01154022 3200K  
part # ■ 01154120 □ 01154121 ■ 01154122 5600K



Stylish, compact and extremely high efficiency narrow angle LED zoom profile featuring a white 150W led COB power source and double-condenser optics. Recently introduced specifications include RDM control for 16 bit dimming, 3 choices on fan speed control and increased light output.

Its extremely accurate optics make it the obvious choice for medium-throws in theatrical sets, stages, TV studios, commercial and art displays, schools, worship venues, cruise ships or architectural applications where an extremely sharp beam shaping and gobo projection, coupled with user-friendly controls and an outstanding design are required.

Standard delivery includes 2m mains cable with fitted Power-con, 4 black shutter blades and a metal colour frame.

All models in the ARPA range are available in 3200K and 5600K white plus RGBW, in a choice of 3 finishes: black, white and silver, and 2 stirrups: manual and pole-operated.

A large choice of accessories complements the range.



Luci della Ribalta srl  
Via Berna 14  
46042 Castel Goffredo (MN), Italy  
tel: +39 0376 771777  
[www.ldr.it](http://www.ldr.it) [info@ldr.it](mailto:info@ldr.it)  
issue: ap ©2023. LDR reserves the right to alter the specification without prior notice.