

## Application

Beam style	well-defined, flat field profile projection
Suitable for	medium / large scale theatre
Specification level	professional range
Beam angle	8° - 22°
Typical throw distance	10 – 40m

## Electrical specifications

Supply Volts	230/240V AC single phase to ballast unit
Max. Lamp Watts	1200W
Lamp base	G22
Auto-disconnect	double-pole microswitch
Cable/connection	2m, multicore cable to external ballast unit, 2m 3x2.5mm <sup>2</sup> bare ended cable to power
Standards Compliance	EN60598-2-17, CE marked

## Mechanical specifications

Paint/Finish	epoxy powder paint, black or white
Lamp House Construction	extruded aluminium and sheet steel
Ballast	external electro-magnetic unit with on/off switch
Reflector	68mm diameter. glass
Optical system	double condenser with variable zoom
Mounting & suspension	steel stirrup with 12mm centre hole and DIN mounting. Spigot for ø29mm tube supplied
Handle	one, covering rear and side of the followspot
Weight/Packed weight	19,8kg / 23,7kg - ballast: 16,5kg /17,5 kg
Packed volume	0.204m <sup>3</sup> ballast: 0.049m <sup>3</sup>
Filter cut size	185 x 185mm
Accessory runners	3 slots
Colour frame	metal, 185 x 185mm, not supplied
Lamp access	lowering base
Lens access	sliding panels beneath lamp tube

## Operational specifications

Focus adjustment	slide zoom controls (dia./softness) at side
Lamp alignment	factory set
Beam Shaping	20-leaf iris included; shutters: accessories
Dimming	optical dimmer iris included
Positional adjustment	lever tilt clamp

## Lamp types

1200W 5900K	Philips 1200 MSR G22 800 hrs
1200W 6000K	Philips 1200 MSD G22 3.000 hrs
1200W 7200K	Philips 1200 MSR/2 G22 800 hrs

## Accessories

Metal colour frame+ front runners	■20109106
5-colour colour changer	■20105106 □20105106B
5-colour colour changer, left-hand.	■20105105
6-colour colour changer	■20105206
Spare iris diaphragm	20100707
Gobo holder, A/B size	20100807 Gobo holder, B, dichro 20100807B
Black tripod	20102401
Spare spigot ø29mm	20102200 Spigot with fluid head 20102100
Kit 1-hand control iris/dowser	20107070 Stirrup-kit for suspension 20102900
Flight case with braking wheels	20107180 for f.spot/ballast/col.chang./tripod

## Photometric data

Narrow focus		1200 MSR									
Beam dia.	2.5	2.7	2.9	3.1	3.3	3.6	3.8	4.0	4.2	m	
lux	1944	1657	1429	1244	1094	969	864	776	700		
Distance	24	26	28	30	32	34	36	38	40	m	

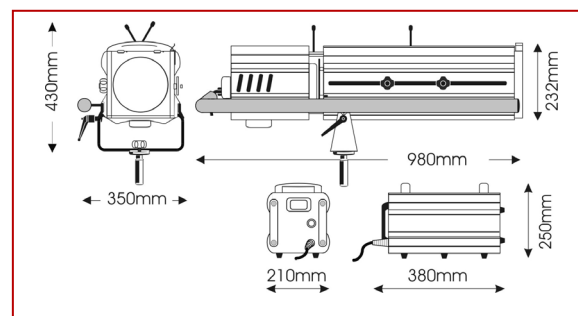
Wide focus											
Beam dia.	2.6	3.2	3.7	4.2	4.7	5.3	5.8	6.3	6.8	m	
lux	2850	1979	1454	1113	880	713	589	495	422		
Distance	10	12	14	16	18	20	22	24	26	m	

LUCI DELLA RIBALTA PROFESSIONAL LIGHTING PRODUCTS

# Canto® 1200msd/msr MK2

230V 50/60Hz  
discharge followspot

part number : ■10857180 □10857181  
K10857181: kit version – black



The most popular in the range, the Canto® 1200W MSR/MSD produces a well-defined, flat-field projection, ideal for use in medium- large-scale venues.

Canto® 1200msr features a large, user-friendly side handle, strong mechanics and excellent optics.

Canto® 1200msd/msr is delivered complete with 20-leaf iris, mechanical dimmer (dowser), separate electromagnetic ballast unit and spigot.

Also available in the kit version, including: followspot with iris and spigot, fitted 5-colour colour changer, 1200msr lamp and black tripod



Luci della Ribalta srl  
Via Berna 14  
46042 Castel Goffredo (MN), Italy  
tel: +39 0376 771777  
[www.ldr.it](http://www.ldr.it) [info@ldr.it](mailto:info@ldr.it)

issue: ap ©2020. LDR reserves the right to alter the specification without prior notice