

Application	
Beam style	well-defined, flat field profile projection
Suitable for	medium / large scale theatre
Specification level	professional range
Beam angle	8° - 22°
Typical throw distance	10 – 30m / 33 – 98ft

Electrical specifications	
Supply Volts	230/240V AC single phase to ballast unit
Max. Lamp Watts	575W
Lamp base	GX9.5
Auto-disconnect	double-pole microswitch
Cable/connection	2m / 6.6ft multicore cable to ballast, 2m / 6.6ft 3-core cable to bare ends
Standards Compliance	EN60598-2-17, CE marked

Mechanical specifications	
Paint/Finish	epoxy powder paint, black or white
Lamp House Construction	extruded aluminium and sheet steel
Ballast	separate external unit (supplied) with on/off switch
Reflector	68mm/2.68in diameter, glass
Optical system	double condenser with variable zoom
Mounting & suspension	steel stirrup with 12mm/0.48in centre hole and DIN mounting. Spigot for ø29mm/1.10in tube suppl.
Handle	one, covering side and rear of followspot
Weight/Packed weight	head: 19,4kg / 41lb net - 24,7kg / 53lb packed ballast: 28kg / 61.7lb net - 31 kg / 68.3lb packed
Packed volume	0.204m ³ ballast: 0.049m ³
Filter cut size	185 x 185mm / 7.28x7.28in
Accessory runners	3 slots , accessory
Colour frame	metal, 185x185mm / 7.28x7.28in, accessory
Lamp access	lowering base
Lens access	sliding panels beneath lamp tube

Operational specifications	
Focus adjustment	slide zoom controls (dia/softness) at side
Lamp alignment	factory set
Beam Shaping	20-leaf iris included; shutters are accessories
Dimming	optical dimmer iris included
Positional adjustment	lever tilt clamp

Lamp types	
575W 6000K	Philips MSD 575 GX9.5 3.000 hrs
575W 7200K	Philips MSR 575/2 GX9.5 1.000 hrs

LDR recommends Philips lamps

Accessories	
Metal colour frame+ front runners	■20109106
5-colour colour changer	■20105106 □20105106B
Spare iris diaphragm	20100707
Gobo holder, A/B size	20100807 Gobo holder, B, dichro 20100807B
Black tripod	20102401 Chrome plated tripod 20102402
Spare spigot ø29mm	20102200
Spigot with fluid head	20102100
Kit 1-hand control iris/dowser	20107070
Flight case with braking wheels	20107180 for f.spot/ballast/col.chang./tripod

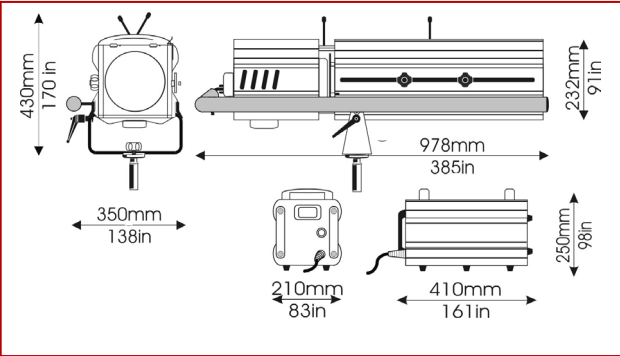
Photometric data									
Narrow focus		575 MSR							
Beam dia.	1.47	1.68	1.89	2.10	2.31	2.52	2.73	2.93	3.14m
Beam dia.	4.82	5.51	6.20	6.89	7.58	8.27	8.96	9.61	10.30ft
lux	2908	2227	1759	1425	1178	990	843	727	633
Distance	46	52	59	66	62	79	85	92	98 ft
Distance	14	16	18	20	22	24	26	28	30 m
Wide focus									
Beam dia.	2.63	3.16	3.69	4.21	4.74	5.27	5.79	6.32	6.85m
Beam dia.	8.63	10.37	12.11	13.81	15.55	17.29	19.00	20.73	22.47 ft
lux	1363	946	695	532	421	341	282	237	202
Distance	46	52	59	66	72	79	85	92	98 ft
Distance	10	12	14	16	18	20	22	24	26 m

LUCI DELLA RIBALTA PROFESSIONAL LIGHTING PRODUCTS

Canto® 575msd/msr MK2

120V 60Hz discharge followspot

part number : ■11577180 □11577181



Medium-throw discharge followspot for either MSD or MSR 575 lamp.

Canto® 575 features a large, user-friendly side handle, enhanced mechanics on the dowser and an excellent light output.

Standard delivery includes an external ballast, iris, mechanical dimmer, spigot, colour frame and 2m mains cable.

A large selection of accessories is available for the Canto range, including a flight case on braking wheels which accepts followspot, fitted colour changer, tripod, ballast unit and lamp



Luci della Ribalta srl
Via Berna 14
46042 Castel Goffredo (MN), Italy
tel: +39 0376 771777
fax: +39 0376 772140
www.ldr.it info@ldr.it

issue: ap ©2020. LDR reserves the right to alter present specifications without prior notice.