

Application

| | |
|------------------------|---|
| Beam style | well-defined, flat field profile projection |
| Suitable for | medium / large scale theatre |
| Specification level | professional range |
| Beam angle | 8° - 22° |
| Typical throw distance | 10 – 30m |

Electrical specifications

| | |
|----------------------|---|
| Supply Volts | 250V AC single phase to ballast unit |
| Max. Lamp Watts | 575W |
| Lamp base | GX9.5 |
| Auto-disconnect | double-pole microswitch |
| Cable/connection | 2m, multicore cable to ballast, 2m 3x2.5mm ² bare ended cable to power |
| Standards Compliance | EN60598-2-17, CE marked |

Mechanical specifications

| | |
|-------------------------|--|
| Paint/Finish | black/white epoxy powder paint |
| Lamp House Construction | extruded aluminium and sheet steel |
| Ballast | external unit (supplied) with on/off switch |
| Reflector | 68mm diameter glass |
| Optical system | double condenser with variable zoom |
| Mounting & suspension | steel stirrup with 12mm centre hole and DIN mounting. Spigot for ø28mm tube supplied |
| Handle | rear and side |
| Weight/Packed weight | 19,8kg / 23,7kg – ballast 16,5kg / 17,5kg |
| Packed volume | 0.204m ³ ballast: 0.049m ³ |
| Filter cut size | 185 x 185mm |
| Accessory runners | 3 slots |
| Colour frame | metal, 185 x 185mm, supplied |
| Lamp access | lowering base |
| Lens access | sliding panels beneath lamp tube |

Operational specifications

| | |
|-----------------------|---|
| Focus adjustment | slide zoom controls (dia/softness) at side |
| Lamp alignment | factory set |
| Beam Shaping | 20-leaf iris included; shutters are accessories |
| Dimming | optical dimmer iris included |
| Positional adjustment | lever tilt clamp |

Lamp types

| | |
|------------|-----------------------------------|
| 575W 6000K | Philips MSD 575 GX9.5 3.000 hrs |
| 575W 7200K | Philips MSR 575/2 GX9.5 1.000 hrs |

Accessories

| | |
|--------------------------------------|---|
| Metal colour frame+ front runners | ■20109106 |
| 5-colour colour changer | ■20105106 □20105106B |
| 5-colour colour changer , left-hand. | ■20105105 |
| 6-colour colour changer | ■20105206 |
| Spare iris diaphragm | 20100707 |
| Gobo holder, A/B size | 20100807 Gobo holder, B, dichro 20100807B |
| Black tripod | 20102401 |
| Spare spigot ø29mm | 20102200 |
| Spigot with fluid head | 20102100 |
| Kit 1-hand control iris/dowser | 20107070 |
| Stirrup-kit for suspension | 20102900 |
| Flight case with braking wheels | 20107180 for f.spot/ballast/col.chang./tripod |

Photometric data

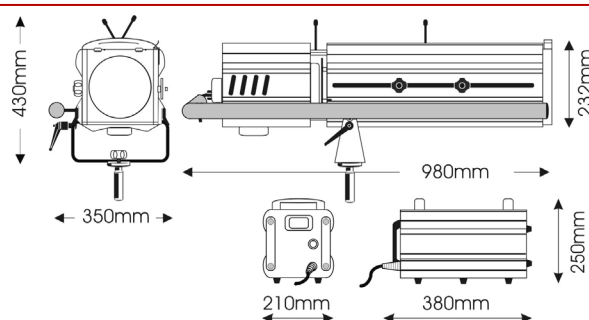
| Narrow focus | | 575 MSR | | | | | | | | |
|--------------|------|---------|------|------|------|-----|-----|-----|-----|---|
| Beam dia. | 1.5 | 1.7 | 1.9 | 2.1 | 2.3 | 2.5 | 2.7 | 2.9 | 3.1 | m |
| lux | 2908 | 2227 | 1759 | 1425 | 1178 | 990 | 843 | 727 | 633 | |
| Distance | 14 | 16 | 18 | 20 | 22 | 24 | 26 | 28 | 30 | m |
| Wide focus | | | | | | | | | | |
| Beam dia. | 2.6 | 3.2 | 3.7 | 4.2 | 4.7 | 5.3 | 5.8 | 6.3 | 6.8 | m |
| lux | 1363 | 946 | 695 | 532 | 421 | 341 | 282 | 237 | 202 | |
| Distance | 10 | 12 | 14 | 16 | 18 | 20 | 22 | 24 | 26 | m |

LUCI DELLA RIBALTA PROFESSIONAL LIGHTING PRODUCTS

Canto® 575msd/msr MK2

250V 50/60Hz discharge followspot

part number : ■10577280 □10577281



Medium-throw discharge followspot for either MSD or MSR 575 lamp.

Canto® 575 features a large, user-friendly side handle, enhanced mechanics on the dowser and an excellent light output.

Standard delivery includes an external ballast, iris, mechanical dimmer, spigot, colour frame and 2m mains cable.

A large selection of accessories is available for the Canto range, including a flight case on braking wheels which accepts followspot, fitted colour changer, tripod, ballast unit and lamp



Luci della Ribalta srl
Via Berna 14
46042 Castel Goffredo (MN), Italy
tel: +39 0376 771777

www.ldr.it info@ldr.it

issue: ap ©2020. LDR reserves the right to alter present specifications without prior notice.