

Application

Beam style	well-defined, flat field profile projection
Suitable for	medium / large scale theatre
Specification level	professional range
Beam angle	8° - 22°
Typical throw distance	10 – 35m / 33 – 115ft

Electrical specifications

Supply Volts	90/120V AC single phase to ballast unit
Max. Lamp Watts	700W
Lamp base	G22
Auto-disconnect	double-pole microswitch
Cable/connection	2m / 6.6ft multicore cable to ballast, 2m / 6.6ft 3-core cable to bare ends
Standards Compliance	EN60598-2-17, CE marked

Mechanical specifications

Paint/Finish	epoxy powder paint, black or white
Lamp House Construction	extruded aluminium and sheet steel
Ballast	separate external unit (supplied) with on/off switch
Reflector	68mm / 2.68in diameter, glass
Optical system	double condenser with variable zoom
Mounting & suspension	steel stirrup with 12mm/0.47in centre hole and DIN mounting. Spigot for ø28mm / 1.10in tube suppl.
Handle	one, covering side and rear of followspot
Weight/Packed weight	head: 19,4kg / 41lb net - 24,7kg / 53 lb packed ballast: 28kg / 61.7lb net - 31kg / 68.3lb packed
Packed volume	0.204m ³ ballast: 0.049m ³
Filter cut size	185 x 185mm / 7.28 x 7.28in
Accessory runners	3 slots, accessory
Colour frame	metal, 185 x 185mm/ 7.28 x 7.28in, not supplied
Lamp access	lowering base
Lens access	sliding panels beneath lamp tube

Operational specifications

Focus adjustment	slide zoom controls (dia/softness) at side
Lamp alignment	factory set
Beam Shaping	20-leaves iris included; shutters are accessories
Dimming	optical dimmer iris included
Positional adjustment	lever tilt clamp

Lamp types

700W 6000K	Philips MSD 700 G22 4.000 hrs
700W 7200K	Philips MSR 700/2 G22 1.000 hrs

Accessories

Metal colour frame+ front runners	■20109106
5-colour colour changer	■20105106 □20105106B
5-colour colour changer, left-hand.	■20105105
Spare iris diaphragm	20100707
Gobo holder,B, dichro	20100807B Gobo holder, A/B size 20100807
Black tripod	20102401 Chrome plated tripod 20102402
Colour frame + runners	20109106 Spare spigot ø29mm 20102200
Kit 1-hand control iris/dowser	20107070 Stirrup-kit for suspension 20102900
Flight case with braking wheels	20107180 for f.spot/ballast/col.chang./tripod

Photometric data

Narrow focus		700 MSR									
Beam dia.		2.5	2.8	3.1	3.4	3.6	3.9	4.2	4.5	4.8 m	
lux		2191	1775	1467	1233	1050	906	789	693	614	
Distance		59	66	72	79	85	92	98	105	112 ft	
Distance		18	20	22	24	26	28	30	32	34	

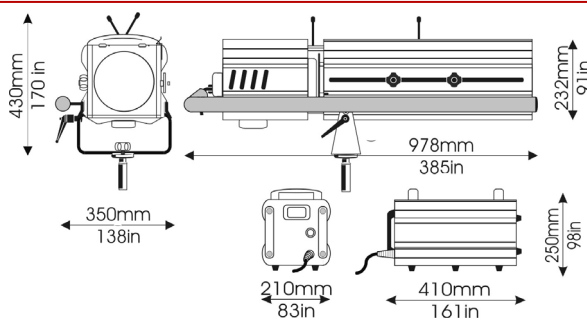
Wide focus											
Beam dia.		3.5	4.2	4.9	5.6	6.3	7.1	7.8	8.5	9.2 m	
lux		1700	1181	867	664	525	425	351	295	251	
Distance		33	39	46	52	59	66	72	79	85 ft	
Distance		10	12	14	16	18	20	22	24	26 m	

LUCI DELLA RIBALTA PROFESSIONAL LIGHTING PRODUCTS

Canto[®] 700 msr MK2

120V 60Hz discharge followspot

part number : ■11707180 □11707181



For more power at middle distance throws, this 700W MSR or MSD-powered discharge followspot is the obvious choice.

Canto[®] 700 features a large, user-friendly side handle, enhanced mechanics on the dowser and an excellent light output.

Standard delivery includes an external ballast, iris, mechanical dimmer, spigot, colour frame and 2m mains cable.

A large selection of accessories is available for the Canto range, including a flight case on braking wheels which accepts followspot, fitted colour changer, tripod, ballast unit and lamp



Luci della Ribalta srl
Via Berna 14
46042 Castel Goffredo (MN), Italy
tel: +39 0376 771777
fax: +39 0376 772140
www.ldr.it info@ldr.it

issue: ap ©2020. LDR reserves the right to alter present specifications without prior notice.