

## Application

Beam style	Variable-spread, soft-edged beam
Suitable for	Theatres, TV studios, architectural and commercial applications
Specification level	Professional range
Beam angle	14°-55° (1/2 P.A.)
Typical throw distance	2 – 10m

## Electrical specifications

Light source	120W LED, RGBW
Supply Volts	100/260V AC single phase
Frequency / Current	50/60Hz – 0.42A @ 230V AC or 0,9 A @ 110V AC
Power consumption	135W at full power
Cable/connection	1,6m mains cable with fitted Neutrik Power-con IN and OUT, supplied
Standards Compliance	EN60598-2-17, CE marked

## Mechanical specifications

Construction	Extruded aluminium and sheet steel
Mounting & suspension	Steel stirrup 12mm centre hole + DIN mounting.
Handle	Rear
Weight/Packed weight	5,9 kg / 7,10kg
Colour frame	Metal, 150 x 150mm, accessory

## Operational specifications

Focus adjustment	Screw focus with control at rear
Beam Shaping	Using barndoor accessory
DMX channels / connection	6 or 7 ch / XLR5 connectors, IN/OUT
Colours	RGBW
Dimming	From rear panel encoder or remote, 8 or 16 bits via DMX signal
LED temperature	Built-in sensor for real time monitoring
Ambient temperature	35°C max.
Fan speed control	3 modes available: Silent/Auto/Constant
Fade curves	2 curves (linear, square)
LED Frequency	16KHz – Flicker free
LCD display	Set-up, dmx, monitor, diagnostics
RDM	Integrated

## Optical specifications

Optical system	120mm diameter high quality Fresnel lens
LED array	RGBW, round-shaped, replaceable
Rated LED life	50,000 hours at 25°C, maintain 70 % original intensity
Beam colour temperature	Any, from RGBW colour mixing
CRI (Colour Rendering Index)	> 90

## Accessories

Metal colour frame	■ 20100103 □ 20100103B □ 20100103C
4-leaf barndoor	■ 20100301 □ 20100301B □ 20100301C
Frost-frame, Rosco 253	20100101
Hook clamp	20100900 Safety bond 20101300
Remoto - software upload	20702072

## Photometric data

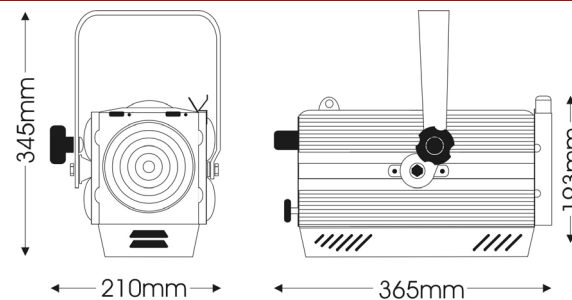
Spot	RGBW										at 700mA
	0.5	0.7	1.0	1.2	1.5	1.7	2.0	2.2	2.5	m	
R	2362	1050	590	378	262	192	147	116	95	lux	41 lm/W
G	4147	1842	1036	663	460	338	258	204	166	lux	56,5 lm/W
B	367	163	92	59	41	30	22	18	15	lux	11,5 lm/W
W	5250	2333	1312	840	589	429	329	260	210	lux	87,9 lm/W
Full	10762	4783	2691	1722	1195	879	673	531	430	lux	
Distance	2	3	4	5	6	7	8	9	10	m	

Flood											
	2.1	3.1	4.2	5.2	6.2	7.3	8.3	9.4	10.4	m	
R	472	210	117	76	52	39	29	23	19	lux	41 lm/W
G	735	327	183	117	82	60	46	37	29	lux	56,5 lm/W
B	236	105	59	38	26	19	15	12	10	lux	11,5 lm/W
W	656	291	169	105	72	54	41	31	26	lux	87,9 lm/W
Full	1575	700	393	252	175	128	98	78	63	lux	
Distance	2	3	4	5	6	7	8	9	10	m	

# Cetra f100 RGBW

120W, 100/260VAC, DMX512+RDM  
LED Fresnel Luminaire

part # ■ 01101200 □ 01101201 □ 01101202



Stylish, compact and high efficiency RGBW led power source, fresnel luminaire featuring 120mm diameter Fresnel lens and DMX/RDM controllable for 16 bit dimming and infinite colour beams.

Cetra is ideal in all those applications where heat and energy saving are a concern. Its attractive design makes it the obvious choice in shop displays, art displays and architectural applications where a theatrical-type luminaire is needed.

A full range of accessories complements the range.

Cetra F is also available with 3200 or 5600K, white light, on demand with 2800/6000K tunable white light, with PO stirrup and with black, white or silver paint finish.

LUCI DELLA RIBALTA PROFESSIONAL LIGHTING PRODUCTS



Luci della Ribalta srl  
Via Berna 14  
46042 Castel Goffredo (MN), Italy  
tel: +39 0376 771777  
[www.ldr.it](http://www.ldr.it) [info@ldr.it](mailto:info@ldr.it)

issue: ap ©2022. LDR reserves the right to alter the specification without prior notice.