

Application

Beam style	Variable-spread, tight-edged beam
Suitable for	Theatres, TV studios, architectural and commercial applications in FOH position
Specification level	Professional range
Beam angle	5°-85° (1/2 P.A.)
Typical throw distance	2 – 10m

Electrical specifications

Light source	120W LED, RGBW
Supply Volts	100/260V AC single phase
Frequency / Current	50/60Hz – 0.42A @ 230V AC or 0,9 A @ 110V AC
Power consumption	135W at full power
Cable/connection	1,6m mains cable with fitted Neutrik Power-con IN and OUT, supplied
Standards Compliance	EN60598-2-17, CE marked

Mechanical specifications

Lamp House Construction	Extruded aluminium and sheet steel
Mounting & suspension	Steel stirrup 12mm centre hole + DIN mounting.
Handle	Rear
Weight/Packed weight	5,9 kg / 7,10kg
Colour frame + safety guard	Metal, 150 x 150mm, accessory

Operational specifications

Focus adjustment	Screw focus with control at rear
Beam Shaping	Using barndoor accessory
DMX channels / connection	6 or 7 ch / XLR5 connectors, IN/OUT
Colours	RGBW
Dimming	From rear panel encoder or remote, 8 or 16 bits via DMX signal
LED temperature	Built-in sensor for real time monitoring
Ambient temperature	35°C max.
Fan speed control	3 modes available: Silent/Auto/Constant
Fade curves	2 curves (linear, square)
LED Frequency	16KHz – Flicker free
LCD display	Set-up, dmx, monitor, diagnostics
RDM	Integrated

Optical specifications

Optical system	120mm diameter high quality pebble-convex lens
LED array	RGBW, round-shaped, replaceable
Rated LED life	50,000 hours at 25°C, maintain 70 % original intensity
Beam colour temperature	Any, from RGBW colour mixing
CRI (Colour Rendering Index)	> 90

Accessories

Spare metal colour frame	■ 20100103 □ 20100103B □ 20100103C
4-leaf barndoor	■ 20100301 □ 20100301B □ 20100301C
Frost-frame, Rosco 253	20100101
Hook clamp	20100900 Safety bond 20101300
Remoto - software upload	20702072

Photometric data

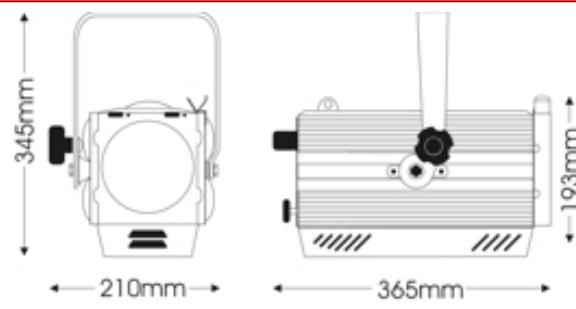
Spot	RGBW										at 700mA
	0.2	0.28	0.33	0.4	0.5	0.6	0.7	0.8	0.9	m	
Beam dia.*	0.2	0.28	0.33	0.4	0.5	0.6	0.7	0.8	0.9	m	
R	3713	1650	928.1	594	412.5	303.1	232	183.3	149		41 lm/W
G	6675	2966	1669	1068	741	544	417	329	267		56,5 lm/W
B	225	100	56	36	25	18.4	14.1	11.1	9		11,5 lm/W
W	9125	4056	2281	1460	1014	745	570	451	365		87,9 lm/W
Full	18500	8222	4625	2960	2056	1510	1156	914	740		
Distance	2	3	4	5	6	7	8	9	10	m	

Flood											at 700mA
	3.7	5.5	7.3	9.2	11	12.8	14.7	16.5	18.3	m	
Beam dia.*	3.7	5.5	7.3	9.2	11	12.8	14.7	16.5	18.3	m	
R	162.5	72.2	40.6	26	18.1	13.3	10.2	8	6.5		41 lm/W
G	325	144	81	52	36	27	20	16	13		56,5 lm/W
B	12.5	5.6	3.1	2	1.4	1	0.8	0.6	0.5		11,5 lm/W
W	450	200	112.5	72	50	36.7	28.1	22.2	18		87,9 lm/W
Full	875	389	219	140	97	71	55	43	35		
Distance	2	3	4	5	6	7	8	9	10	m	

cetra pc 100 RGBW

120W, 100/260VAC, DMX512+ RDM
LED pebble convex Luminaire

part # ■ 01102200 □ 01102201 □ 01102202



Stylish, compact and high efficiency RGBW led power source, pebble-convex luminaire featuring 120mm diameter anti-halo lens and DMX/RDM controllable for 16 bit dimming and infinite colour beams.

Cetra is ideal in all those applications where heat and energy saving are a concern. Its attractive design makes it the obvious choice in shop displays, art displays and architectural applications where a theatrical-type luminaire is needed.

A full range of accessories complements the range.

Cetra PC is also available with 3200 or 5600K, white light, on demand with 2800/6000K tunable white light, with PO stirrup and with black, white or silver paint finish.

LUCI DELLA RIBALTA PROFESSIONAL LIGHTING PRODUCTS



Luci della Ribalta srl
Via Berna 14
46042 Castel Goffredo (MN), Italy
tel: +39 0376 771777
www.ldr.it info@ldr.it

issue: ap ©2022. LDR reserves the right to alter the specification without prior notice.