

Application

Beam style	asymmetric flood
Suitable for	cyclorama lighting, large scale theatre
Specification level	professional range
Typical throw distance	2 - 10m

Electrical specifications

Supply Volts	230/240V AC single phase
Max. Lamp Watts	1250W
Lamp base	R7s
Auto-disconnect	double-pole microswitch
Cable/connection	1.5m, 3x1.5mm ² flexible cable to bare ends
Standards Compliance	EN60598-2-17, CE marked

Mechanical specifications

Paint/Finish	black/silver/white epoxy powder paint
Lamp House Construction	1-compartment, may be coupled together with identical units to create a 2/3/4 compartment batten, available accessories for domino assembling.
Reflector	asymmetrical, aluminium
Mounting & suspension	steel stirrup with 12mm centre hole and DIN mounting
Weight/Packed weight	5.3kg / 7.1kg
Packed volume	0.069m ³
Filter cut size	290 x 270mm
Accessory runners	1 slot
Safety glass	included
Colour frame	metal, 290 x 270mm supplied
Lamp access	front access

Operational specifications

Working position	max. tilting ±180° from vertical
Positional adjustment	tilt lock on one side

Lamp types

625W	P2/10 R7s 230/240V 3200K 150 hrs
1000W	P2/7 R7s 230/240V 3200K 200 hrs
1250W	P2/12 R7s 230/240V 3200K 200 hrs

Accessories

Spare metal colour frame	■20100112 □20100112B ■20100112C
Spare clear safety glass	20101412
4-leaf barndoor	■20100492 □20100492B ■20100492C
3-leaf barndoor	■20100612 □20100612B ■20100612C
2-leaf barndoor	■20100512 □20100512B ■20100512C
2-leaf b/door sq.mounting left	20100512L
2-leaf b/door sq.mounting right	20100512R
Kit for square mounting	20101912
Kit for linear mounting 2/3 Innos	20102612
Kit for linear mounting 4 Innos	20102614
Hook clamp	20100900
Safety bond	20101300

Photometric data

Horizontal										P2/7
Beam dia.	4.8	7.2	9.5	11.9	14.3	16.7	19.1	21.5	23.8	m
lux	4688	2083	1172	750	521	383	293	231	188	
Distance	2	3	4	5	6	7	8	9	10	m

Vertical										
Beam dia.	5.7	8.6	11.4	14.3	17.1	20.0	22.9	25.7	28.6	m
lux	4950	2200	1238	792	550	404	309	244	198	
Distance	2	3	4	5	6	7	8	9	10	m

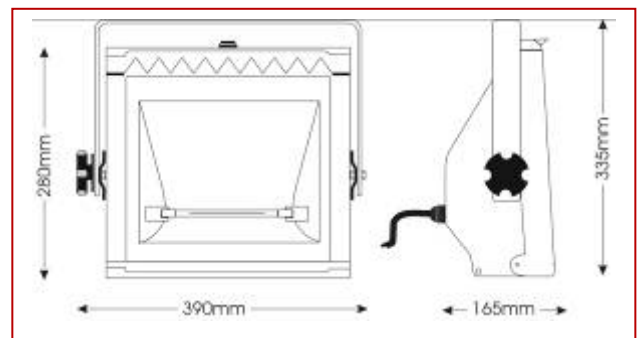
LUCI DELLA RIBALTA PROFESSIONAL LIGHTING PRODUCTS

inno[®] A1000

625W - 1250W

asymmetric floodlight

part number: ■10806050 □10806051 ■10806052



This asymmetric 1Kw floodlight evenly illuminates a backcloth, cyclorama or scenic pieces from an oblique angle in larger venues.

Each unit has a hinged front access door and a double-microswitch interlock for safe lamp replacement. The modular design enables several units to be coupled together to form a compartment batten. A colour frame, safety glass and 1.5m mains cable is also included for each unit.

**To special order also available
with extended front-door for longer colour-medium life**



Luci della Ribalta srl
Via Berna 14
46042 Castel Goffredo (MN), Italy
tel: +39 0376 771777
fax: +39 0376 772140
www.ldr.it info@ldr.it

issue: ap ©2020. LDR reserves the right to alter the specification without prior notice.