

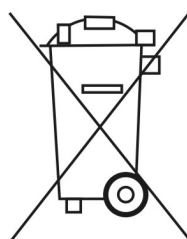
istruzioni per l'uso  
operating instructions  
Bedienungsanleitung  
instrucciones de manejo  
mode d'emploi  
gebruiksaanwijzing

**10857180**

**Canto<sup>®</sup> 1200 msd/msr  
MK2 230V, black**

**10857181**

**Canto<sup>®</sup> 1200 msd/msr  
MK2 230V, white**



## ENGLISH

Thanks for having chosen Luci della Ribalta srl. We hope our products and services meet your requirements, but should this not be the case, we kindly ask you to contact us directly to help us supply you and all our customers with better and better quality. The product you purchased has been manufactured with maximum care and selected components, but should you, for reasons beyond our control, have received it damaged, we kindly ask you to contact the dealer who supplied the product to you. To help you in this casualty, a form is supplied at the end of this manual.

### **Carefully read user's instructions before using this lighting unit.**

The instructions given here below ensure a safe and and correct usage of this product. User's failure to comply with the installation, operating, maintenance and safety procedures mentioned in this manual, as well as those generally applicable to this lighting equipment, may cause the luminaire not to perform as expected.

Luci della Ribalta accepts no liability for direct, indirect, incidental, special, or consequential damages resulting from the customer's failure to follow the installation, operating, maintenance and safety procedures in this manual or those generally applicable to lighting equipment.

The limitation extends to damages for personal injury, property damage, loss of operations, loss of profits, loss of product or loss of time, whether incurred by the customer, the customer's employees or a third part.

**Apart from the instructions given on this manual, all relevant safety and health standards of the appropriate EU Directives must be complied with**

### **IMPORTANT SAFETY NORMS**

- \* this product reaches high temperatures. Avoid any direct contact with its metallic parts.
- \* warning, high voltage ignition.
- \* U.V. rays: the lamps used on the discharge models (Canto 575, 700 and 1200 msd/msr) emit UV rays. Protect your eyes and never look directly at the source of light if bare-eyed
- \* this product features fan assisted ventilation. Make sure you do not cover the fan or obstruct the air flow at any one time.
- \* make sure the fan is working correctly. Should you detect even the slightest malfunctioning, switch the luminaire off and carry out the necessary servicing. Replace the fan if necessary.
- \* this product is rated IP 20 and is therefore designed for interior use only. For details on maximum ambient temperature, minimum distance from flammable objects and tilt angle, please refer to what indicated on the product label.
- \* replace the lamp, the mirror and the lenses if damaged or deformed by heat. Make sure the lamp is cold before attempting to remove it. To perform a correct installation of the lamp, please refer to the lamp manufacturer's instructions included in the lamp box and to the relevant chapters in this manual

\* fixing and replacement of any component of this product must be carried out exclusively by professional personnel in conformity with the relevant safety and health standards and only with original Luci della Ribalta srl components.

\* replacement of any part of the wiring system must be carried out exclusively by professional personnel in compliance with the original wiring diagram and with components identical or compatible with those originally fitted.

\* installation of this product must be exclusively carried out by professional personnel in compliance with the safety norms in force in the country where the product is used.

## 1. CHECK BOX CONTENT

Upon opening the packaging, please make sure it contains the following:

### luminaire:

- a. follow spot
- b. iris diaphragm (black out iris diaphragms if specifically ordered. Not available for Canto 2000th)
- c.  $\varnothing$  28mm spigot with M12 self locking nut and plain washer
- d. Instructions leaflet

### PSU: (only for discharge units, Canto 575, Canto 700 and Canto 1200msd/msr)

- a. 230 Volt 50/60 Hz ballast

## 2. MOUNTING THE SPIGOT

- a. Make sure the tripod you are going to use features a 28mm top aperture.
- b. Remove the M12 nut and the washer from the spigot
- c. Insert the spigot in the central hole of the yoke of the followspot from beneath the yoke
- d. Add the plain screw and the M12 self locking nut and tighten the nut with a suitable tool.
- e. mount the followspot on the tripod. Make sure the structure you are fixing the product to can withstand the product load (see product label to check on weight)

## 3. MOUNTING THE COLOUR CHANGER (accessory, part nr. 20105106)

Remove the colour frame from the followspot.

At the front of the followspot, remove the 2 cross-head self-tapping screws from one of the two frontcolour runners. Re-position the two screws in their original holes and tighten them.

Repeat with the second colour runner.

Take the supplied M4 screws and position each one of them, only half-way through, in each one of the M4 Avdel brass inserts on the front plate of the followspot.

Mount colour filters on the colour changer units. See relevant instructions supplied with the colour changer

Position the colour changer unit on the front plate of the follow spot, making sure that the colour levers are positioned on the right-hand side of the follow spot when viewed from behind and hang it to the previously positioned screws.

Release the colour filters of the colour changer in order to have access to the screws and tighten them.

Ensure the colour changer unit is secure, and all three screws are tight.

*NOTE: Do not discard the removed colour runners and colour frame, as they will be needed if the follow spot is returned to its original standard.*

#### **4. MOUNTING THE IRIS DIAPHRAGM**

The iris diaphragm supplied with the followspot uses 20 leaves to size the beam from a maximum aperture of 68mm to a minimum of 5mm. A black-out iris diaphragm is available to special order.

- a. using a Phillips screw-driver remove the two cross head screws from the sides of the iris plate
- b. slide the diaphragm in the gate area
- c. tighten the screws

#### **important notice:**

**do not leave the iris closed for over:**

- **10 minutes on Canto 575, Canto 700, Canto 1200 TH and Canto 1200MSR**
- **2 minutes on Canto 2000 TH**

**while the lamp is on.**

*Use the front dowser to cut "off" the light should you require to have the lamp on with no beam projecting on the stage*

**FAILURE TO COMPLY WITH ABOVE NOTICE MAY CAUSE THE IRIS AND THE FOLLOWSPOT TO SUFFER MAJOR HEAT DAMAGES AND WILL INVALIDATE THE PRODUCT WARRANTY**

#### **5. SHUTTER BLADES**

Shutter blades are not supplied with the unit but are available as separate accessory. They are sold as single items and relevant part number is 80852039.

#### **6. ADJUSTING THE YOKE**

This followspot is provided with a yoke balancing adjustment.

The balancing point is factory set for a standard usage of the product; however, should you need to adjust the balancing, please, proceed as follows:

- a. the followspot must be tripod mounted
- b. using a Phillips screw driver slacken the 2 M5 screws on each side of the yoke.
- c. gently slide the followspot backwards or forwards to the required position
- d. make sure the yoke is correctly aligned horizontally
- e. tighten the 4 M5 screws

## **7. WIRING**

Before being connected to the mains, this unit needs to be wired with a suitable plug. Make sure the plug you are fitting withstands the lamp power load. Ensure the plug conforms to the relevant EU/UL electrical standards. To perform a correct wiring, please refer to the instructions given on the label attached to the loose end of the mains cable.

## **8. VOLTAGE**

Before operating this unit please refer to the product label mounted at the back of the luminaire to check you are operating with the correct voltage.

## **9. FREQUENCY (Discharge units only)**

Frequency on this product is factory-set to 50Hz. Setting to 60Hz will only be effected upon request from the customer, and prior to shipping of the product to 60Hz countries. Please check the product label to see the frequency for each unit.

Any modification to the factory set frequency must be effected exclusively by professional personnel and under relevant instructions by the manufacturer. Should you therefore need to switch frequency from 50Hz to 60 Hz or vice-versa, you are kindly requested to contact Luci della Ribalta srl technical service on phone number:

**+39 0376 781193.**

Qualified personnel will give you detailed and correct instructions on how to effect this operation. Luci della Ribalta srl declines any responsibility in case of damages to the product, other objects or persons caused by an unproper or unauthorized frequency setting.

## **10. FUSE (Discharge units only)**

Please refer to the product label to check on the fuse mounted on the unit you have purchased.

## 11. MOUNTING/REPLACING THE LAMP

Although this unit is supplied with a double-pole microswitch disconnecter, we strongly recommend you disconnect the followspot from the mains supply before mounting the lamp.

- a. choose a suitable lamp type from the following list:

Canto 575 msd/msr	Philips MSR 575/2 GX9.5 7200°K 1000 hrs Philips MSD 575 GX9.5 6000°K 3000 hrs
Canto 700 msd/msr	Philips MSR 700/2 G22 7200°K 1000 hrs Philips MSD 700 G22 6000°K 4000 hrs
Canto 1200 msd/msr	Philips MSR 1200 G22 5900°K 800 hrs Philips MSR1200/2 G22 7200°K 800 hrs Philips MSD 1200 G22 6000°K 3300 hrs
Canto 1200 TH	Philips CP90 GX9.5 1200W 3200°K 200 hrs Philips T29 GX9.5 1200W 3000°K 400 hrs
Canto 2000 TH	Philips CP72 GY16 3200°K 350 hrs

### LDR RECOMMENDS PHILIPS LAMPS

- b. open the lamp-holder block by turning (anti-clockwise) the two  $\frac{1}{4}$  turn fasteners
- c. pull down the lamp-holder block and insert the correct lamp in the lamp holder.  
MAKE SURE THE LAMP IS CORRECTLY POSITIONED AND PERFECTLY VERTICAL.
- d. carefully close the lamp block by turning (clockwise) the two  $\frac{1}{4}$  turn fasteners

*LDR declines any responsibility on poor performance of the unit or damages to the inner components in case a non compatible lamp is used.*

## 12. LAMPING THE FOLLOWSPOT

### Tungsten halogen models:

- a. Connect the followspot to the mains (fan will start working)
- b. Push the mains switch positioned at the back of the luminaire (lamp is on)

### Discharge models:

- a. Plug the follow spot to the PSU. Please note that each followspot has been factory tested with relevant PSU. Both units are recognized by a serial number (on the outer box and on the unit). Make sure you match each followspot to the relevant PSU

- b. Connect the PSU to the mains
- c. Push the main switch on the PSU (fan will start working)
- d. Push the main switch positioned at the back of the luminaire (lamp is on)

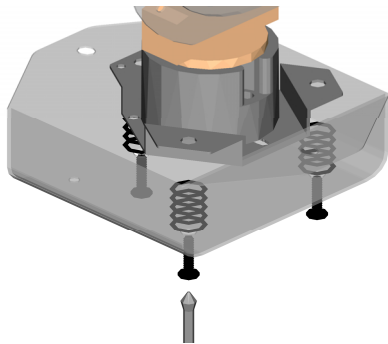
**CAUTION: OPEN THE FIXTURE ONLY 30" AFTER THE LAMP HAS BEEN SWITCHED OFF**

### 13. LAMP SETTING

If you have purchased a discharge unit (Canto 575, Canto 700, Canto 1200 msd/msr) we strongly recommend you check the lamp alignment of your followspot as follows:

- a. Switch on the unit (see point 6, 7 and 8) and project the beam on a flat surface (a wall, for example) at a short distance (1/2m)
- b. Completely de-focus the zoom so that you can see the lamp projected on the surface
- c. Close the dowser to a slightly bigger size than the height of the lamp. You should obtain a circle of light including the projection of the lamp
- d. If the lamp is not exactly centered in the circle, set the alignment by slackening/tightening each one of the three screws positioned at the bottom of the-holder block (see picture below) until the lamp is perfectly aligned.

***CAUTION: adjust each screw very slowly in order not to cause the lamp bulb to touch the optical system as this would cause both the lamp and the lenses to explode.***



Once the alignment is correct you can start using your followspot.

Instructions on lamp alignment are also screen-printed on the outer bottom of the lamp-tray.

## 14. FOCUSING

This fixture features a variable beam angle from 8° to 22°. The variable beam is modified by adjusting the front and rear zoom lenses in relation to each other.

The front lens defines the beam spread, the rear lens the focus degree of 'softness' or 'hardness' of the beam edge or shutters.

## 15. BLACK-OUT MECHANICAL DIMMER (DOWSER)

Your followspot is fitted with an adjustable mechanical dimmer (dowser) to dim and finally black-out the light.

The black-out mechanical dimmer is located in between the two zoom lens-groups.

## 16. CLEANING AND MAINTENANCE

To ensure maximum performance of the product, a regular maintenance service should be carried out. Please make sure the product is cold and disconnected from power supply when doing this.

### General maintenance

- \* clean all reflective parts such as reflectors, mirrors and lenses opening the product, if necessary.
- \* check the lamp and the lenses and replace any visibly damaged component.
- \* clean air ducts and fans in order to allow proper ventilation activity on the product.
- \* check internal and external wiring and replace any cable which should be damaged by heat or mechanical agents.

### Cleaning of optical components

- Lamphouse lenses:
  - a. open the lens compartment door by removing the two M4 cross head screws on the top of the lamphouse tube.
  - b. Remove the lens/mirror assembled block by removing the two M5 cross head screws.
  - c. Clean the lens/mirror with a softcloth.
- Zoom lenses:
  1. slide the front zoom door positioned on the bottom of the lens tube and clean with a soft cloth.

## 17. SPARE PARTS

All components are available as spare parts. We strongly recommend you always use original LDR components as spare parts. Please refer to our technical assistance should you need to order and/or replace any part of the unit.



## **18. WARRANTY**

Our warranty covers all structural and manufacture defects from one year from the date you purchased this product. In case of complaints we strongly recommend you use the complaint form at the end of this manual or contact the local dealer who supplied the product to you. In any case please report the serial number of the product.

Luci della Ribalta srl reserves the right to modify the present document without prior notice.

## ITALIANO

Grazie per aver scelto Luci della Ribalta srl. Speriamo che i nostri prodotti e servizi soddisfino le vostre esigenze, ma se così non fosse vi preghiamo di contattarci direttamente per aiutarci ad offrire a voi ed a tutti i nostri clienti un servizio sempre migliore. Il prodotto che avete acquistato è stato fabbricato con il massimo della cura e con componenti di elevata qualità. Nel caso in cui, per ragioni indipendenti dalla nostra volontà, l'aveste ricevuto danneggiato, vi preghiamo di contattare il rivenditore che ve l'ha fornito. Per aiutarvi in questa evenienza, abbiamo inserito un modulo di reclamo alla fine di questo manuale.

### **Leggete attentamente questo manuale prima di utilizzare questa apparecchiatura elettrica**

Le istruzioni qui di seguito riportate assicurano un utilizzo corretto e sicuro del prodotto che avete acquistato. La mancata osservanza delle procedure di installazione, funzionamento, manutenzione e sicurezza qui indicate, oltre alle norme generali di utilizzo di questo tipo di prodotti potrebbe essere causa di malfunzionamento dell'apparecchiatura o di rese diverse da quanto specificato dal produttore.

Luci della Ribalta non si assume alcuna responsabilità in caso di danno diretto, indiretto, accidentale, specifico o conseguente a cose o persone derivante dalla mancata osservanza da parte dell'utilizzatore delle procedure di installazione, funzionamento, manutenzione e sicurezza indicate in questo manuale e di quelle genericamente applicabili a questa categoria di prodotto.

La limitazione si estende a danni a persone, cose, proprietà, interruzione o perdita di attività, mancato profitto, o perdita di tempo, causati dal cliente, da un suo dipendente o da terzi.

**L'utilizzo di questa apparecchiatura è regolato, oltre che dalle prescrizioni qui indicate, anche da tutte le relative norme di sicurezza e protezione della salute riportate nelle specifiche direttive EU relative a questo tipo di apparecchiature.**

### **IMPORTANTI NORME DI SICUREZZA**

\* questa apparecchiatura raggiunge temperature elevate. Evitate qualsiasi contatto diretto con le parti metalliche.

\* **ATTENZIONE**, accensione ad alto voltaggio.

\* raggi UV: le lampade utilizzate sui modelli a scarica (Canto 575, 700 e 1200 msd/msr) emettono raggi UV. Proteggete gli occhi e non esponeteli mai alla luce diretta della lampada. Evitate in qualsiasi modo di guardare alla fonte di luce senza un'adeguata protezione sugli occhi.

\* questa apparecchiatura è dotata di ventilazione forzata. Assicuratevi di non coprire mai la ventola e la relativa griglia di protezione con alcun oggetto e di non ostruire in alcun caso il flusso di uscita dell'aria.

\* assicuratevi che la ventola funzioni correttamente. Nel caso in cui doveste notare anche il minimo malfunzionamento, spegnete immediatamente l'apparecchiatura e procedete alle necessarie operazioni di manutenzione, sostituendo la ventola se necessario.

\* questo prodotto è classificato IP20 ed è quindi adatto al solo utilizzo in interni. Per informazioni sulla temperatura ambiente massima consentita, sulla distanza minima del prodotto da oggetti infiammabili e l'angolo massimo di inclinazione utilizzabile, vi preghiamo di far riferimento a quanto riportato sull'etichetta del prodotto.

\* sostituite la lampada, lo specchio e le lenti se danneggiate o deformate dal calore. Assicuratevi che la lampada sia fredda prima di iniziarne la sostituzione. Per eseguire una corretta installazione della lampada vi preghiamo di attenervi alle istruzioni del fabbricante riportate all'interno della confezione della lampada stessa ed al relativo capitolo di istruzioni di questo manuale.

\* la riparazione e/o sostituzione di qualsiasi componente di questo prodotto deve essere effettuata esclusivamente da personale qualificato in conformità con le specifiche norme di sicurezza e protezione della persona ed esclusivamente con parti di ricambio originali Luci della Ribalta.

\* la riparazione e/o sostituzione di qualsiasi componente delle parti elettriche deve essere effettuata esclusivamente da personale qualificato in conformità con gli schemi elettrici forniti da Luci della Ribalta e con componenti identici o compatibili con quelli originariamente montati.

\* l'installazione di questo prodotto deve essere effettuata esclusivamente da personale qualificato in conformità con le specifiche norme di sicurezza e protezione della persona in vigore nel paese in cui il prodotto viene utilizzato.

## 1. CONTROLLO DEL CONTENUTO DELL'IMBALLO

All'apertura dell'imballaggio, assicuratevi che questo contenga quanto segue:

### **illuminatore:**

- a. seguipersona nel modello ordinato
- b. diaframma ad iride (diaframma ad iride con black-out se specificamente richiesto. Non disponibile per il modello Canto 2000 TH)
- c. perno per stativo  $\varnothing$  28mm completo di dado autobloccante M12 e ranella liscia
- d. manuale di istruzioni riportante in copertina il codice seriale del prodotto

### **alimentatore (ballast): solo sui modelli a scarica Canto 575, 700 e 1200 msd/msr**

- e. unità ballast 230 Volt 50/60 Hz

## 2. MONTAGGIO DEL PERNO PER STATIVO (in dotazione)

- a) Assicuratevi che lo stativo che state per utilizzare abbia un'apertura superiore di  $\varnothing$ 28mm.

- b) Togliete il dado autobloccante M12 e la ranella liscia dal perno.
- c) Inserite il perno nel foro centrale della forcella del seguipersona dall'esterno della forcella stessa.
- d) Aggiungete la ranella liscia ed il dado autobloccante M12 e stringete il dado con uno strumento adeguato.
- e) Montate il seguipersona sullo stativo. Assicuratevi che questo o la struttura a cui state fissando il prodotto possa sostenerne il peso. Controllate il peso del prodotto sull'etichetta dello stesso.

### **3. MONTAGGIO DEL CAMBIACOLORI (ACCESSORIO)**

- a. Estraete il porta-gelatina dal seguipersona.
- b. Dalla parte anteriore del seguipersona rimuovete le due viti autofilettanti da una delle due guide anteriori. Riposizionate le viti nei fori sottostanti e fissatele con uno strumento adeguato.
- c. Ripetete l'operazione sulla seconda guida.
- d. Prendete dalla confezione del cambiacolori le tre viti fornite e posizionatele, avvitandole solo fino a circa metà corsa, in ognuno degli inserti in ottone presenti sulla testata anteriore del seguipersona.
- e. Montate le gelatine del colore desiderato sul cambiacolori. Si vedano le istruzioni allegate al cambiacolori.
- f. Posizionate il cambiacolori sulla parte frontale del seguipersona, assicurandovi che le leve siano sul lato destro del seguipersona stesso (guardandolo dal retro) ed appendetelo alle viti precedentemente posizionate.
- g. Rilasciate le leve del cambiacolori per avere accesso alle viti e stringetele con uno strumento adeguato.
- h. Assicuratevi che il cambiacolori sia ben fissato e le tre viti ben strette.

*NOTA: Riponete le guide ed il cambiacolori che avete rimosso in un luogo sicuro in quanto vi saranno necessarie se volesse riportare il seguipersona alla dotazione originale.*

### **4. MONTAGGIO DEL DIAFRAMMA AD IRIDE (IN DOTAZIONE)**

Il diaframma fornito con il seguipersona utilizza 20 lamelle per dimensionare il fascio da un massimo di 68mm ad un minimo di 5mm. A richiesta è disponibile anche un diaframma black-out (a chiusura totale). Codice d'ordine 20100708.

- a. Con un cacciavite a stella estraete le due viti fissate sui lati della piastra del diaframma.
- b. Inserite il diaframma nell'apposito alloggiamento posizionato al centro del seguipersona.

- c. Fissate il diaframma in posizione utilizzando le viti che avete precedentemente rimosso.

### **ATTENZIONE:**

**Non tenete il diaframma in posizione di chiusura totale ad apparecchiatura accesa per oltre:**

- **10 minuti sul Canto 575, Canto 700, Canto 1200 TH e Canto 1200MSR**
- **2 minuti sul Canto 2000 TH**

*Utilizzate il dimmer meccanico per chiudere il fascio di luce nel caso in cui doveste mantenere il seguipersona acceso in posizione di black-out.*

**IN CASO DI MANCATA OSSERVANZA DI QUANTO SOPRA SI POTREBBERO VERIFICARE SERI DANNI DA SURRISCALDAMENTO SIA AL DIAFRAMMA SIA AL SEGUIPERSONA, CON CONSEGUENTE ANNULLAMENTO DELLA GARANZIA SUL PRODOTTO.**

## **5. GHIGLIOTTINE**

Le ghigliottine sagomatrici non sono fornite di serie col prodotto, ma sono disponibili come accessorio. Vengono vendute a pezzo singolo ed il codice d'ordine è 80852039.

## **6. REGOLAZIONE DELLA FORCELLA**

Questo seguipersona è dotato di regolazione del punto di bilanciamento della forcella. Il punto di bilanciamento è regolato di fabbrica per l'utilizzo standard del seguipersona, ma, nel caso in cui doveste regolarlo in modo diverso, procedete come segue:

- a. Fissate il seguipersona ad uno stativo
- b. Con un cacciavite a stella allentate le due viti M5 su entrambi i lati della forcella
- c. Con cautela spostate il seguipersona in avanti o all'indietro sino alla posizione desiderata
- d. Assicuratevi che la forcella sia correttamente allineata orizzontalmente
- e. Stringete e fissate le 4 viti M5

## **7. CABLAGGIO**

Prima di collegare il seguipersona all'alimentazione elettrica, questo prodotto deve essere provvisto di una spina adeguata al carico della lampada da utilizzare.

Assicuratevi che la spina sia conforme alle norme di sicurezza elettrica in vigore nel paese in cui il prodotto viene utilizzato.

Per eseguire un corretto cablaggio, vi preghiamo di controllare i dati riportati sull'etichetta apposta alla fine del cavo di alimentazione.

## 8. VOLTAGGIO

Prima di accendere questa apparecchiatura vi preghiamo di controllare i dati riportati sull'etichetta apposta sulla parte posteriore del seguipersona per assicurarvi che stiate lavorando al corretto voltaggio.

## 9. FREQUENZA (solo per le versioni a scarica, 575/700/1200msd-msr)

Su questo prodotto la frequenza è stata settata di serie a 50Hz. Il settaggio a 60Hz viene effettuato solo su richiesta specifica del cliente ed in caso di spedizione del prodotto verso paesi con frequenza standard a 60Hz. Vi preghiamo di controllare l'etichetta del prodotto per assicurarvi della frequenza a cui è stato settato il prodotto che avete acquistato.

Qualsiasi modifica al settaggio standard della frequenza deve essere effettuato esclusivamente da personale qualificato e secondo le precise istruzioni del fabbricante. Quindi, nel caso in cui vi fosse necessario modificare il settaggio della frequenza, vi preghiamo di contattare il servizio assistenza tecnica di Luci della Ribalta al nr.

**+39 0376 781193.**

Riceverete dettagliate e corrette istruzioni su come effettuare questa operazione. Luci della Ribalta srl declina qualsiasi responsabilità in caso di danni al prodotto, a cose o persone causati da un settaggio della frequenza non corretto o non autorizzato.

## 10. FUSIBILE (solo per le versioni a scarica, 575/700/1200msd-msr)

Vi preghiamo di consultare i dati riportati sull'etichetta del prodotto per controllare il tipo di fusibile montato sul prodotto che avete acquistato.

## 11. MONTAGGIO/SOSTITUZIONE DELLA LAMPADA

Nonostante questo prodotto sia fornito di un doppio microinterruttore di sicurezza, vi consigliamo caldamente di scollegare il seguipersona dall'alimentazione principale prima di procedere all'installazione o sostituzione della lampada.

a. Scegliete la lampada adatta controllando l'elenco qui sotto riportato:

Canto 575 msd/msr

Philips MSR 575/2 GX9.5 7200°K 1000 ore  
Philips MSD 575 GX9.5 6000°K 3000 ore

Canto 700 msd/msr

Philips MSR 700/2 G22 7200°K 1000 ore  
Philips MSD 700 G22 6000°K 4000 ore

Canto 1200 msd/msr

Philips MSR 1200 G22 5900°K 800 ore  
Philips MSR1200/2 G22 7200°K 800 ore  
Philips MSD 1200 G22 6000°K 3300 ore

Canto 1200 TH

Philips CP90 GX9.5 1200W 3200°K 200 ore  
Philips T29 GX9.5 1200W 3000°K 400 ore

Canto 2000 TH

Philips CP72 GY16 3200°K 350 ore

### **LDR CONSIGLIA DI UTILIZZARE LAMPADE PHILIPS**

- b. Aprite il blocco porta-lampada agendo in senso anti-orario sulle due chiusure  $\frac{1}{4}$  di giro poste sull'esterno
- c. Estraete il blocco tirandolo verso il basso ed inserite la lampada nel porta-lampada. **ASSICURATEVI CHE LA LAMPADA SIA CORRETTAMENTE POSIZIONATA E PERFETTAMENTE VERTICALE**
- d. Richiudete con attenzione il blocco portalampanada agendo in senso orario sulle due chiusure  $\frac{1}{4}$  di giro

*LDR declina qualsiasi responsabilità in caso di scarso rendimento del prodotto o di danni ai componenti interni causati dall'utilizzo di una lampada non compatibile*

## **12. ACCENSIONE DEL SEGUIPERSONA**

### **Modelli per lampada alogena (1200 TH e 2000 TH):**

- a. Collegate il seguipersona all'alimentazione. Si accende la ventola
- b. Premete l'interruttore posto sulla parte posteriore del seguipersona. Si accende la lampada.

### **Modelli per lampada a scarica (575/700 e 1200 msd/msr):**

- a. Collegate il seguipersona all'unità ballast esterna. Vi preghiamo di notare che ogni seguipersona è stato testato di serie con il proprio ballast. Entrambe le apparecchiature sono riconoscibili dallo stesso numero di serie riportato sia sull'esterno dell'imballaggio, sull'etichetta del prodotto e sulla copertina del manuale di istruzioni. Assicuratevi che il seguipersona ed il ballast che state per collegare riportino lo stesso numero di serie.
- b. Collegate l'unità ballast all'alimentazione.
- c. Premete l'interruttore dell'unità ballast. Si accende la ventola
- d. Premete l'interruttore posto sulla parte posteriore del seguipersona. Si accende la lampada.

### **ATTENZIONE:**

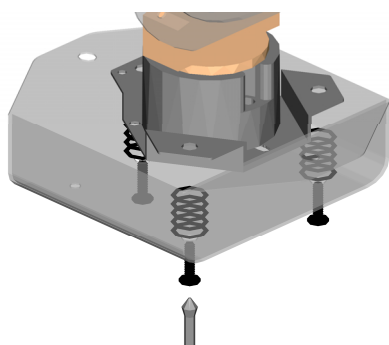
**APRITE L'APPARECCHIATURA SOLO DOPO 30" DALLO SPEGNIMENTO DELLA LAMPADA**

### 13. ALLINEAMENTO DELLA LAMPADA

Se avete acquistato un seguipersona per lampade a scarica (Canto 575, Canto 700, Canto 1200 msd/msr) sarà necessario controllare il corretto allineamento della lampada, procedendo come segue:

- a. Accendete il seguipersona (vedi sezione precedente) e proiettate il fascio di luce su di una superficie piana (una parete, per esempio) da una distanza di 1/2m
- b. Portate la messa a fuoco completamente fuori fuoco in modo da poter vedere la sagoma della lampada sulla superficie di proiezione
- c. Chiudete il dimmer meccanico fino ad ottenere un fascio di diametro leggermente maggiore dell'altezza della lampada. Dovreste ottenere un cerchio di luce che include, centrata, la proiezione della lampada
- d. Se la proiezione della lampada non risulta esattamente centrata, procedete all'allineamento agendo su ognuna delle viti posizionate sul fondo del gruppo porta-lampada fino ad ottenerne il perfetto allineamento. Per maggiori dettagli si veda il disegno qui sotto riportato e le relative istruzioni serigrafate sul blocco stesso.

**ATTENZIONE: regolate molto lentamente ognuna delle viti per evitare che il bulbo in vetro della lampada tocchi uno qualsiasi degli elementi del gruppo ottico, in quanto ciò potrebbe causare l'esplosione delle lenti e della lampada stessa.**



Una volta allineata la lampada potete iniziare ad utilizzare il vostro seguipersona.

### 14. MESSA A FUOCO

Questo seguipersona è dotato di zoom variabile tra 8° e 22°. La regolazione dell'apertura del fascio si ottiene agendo sulla posizione della lente anteriore e posteriore. La posizione della lente anteriore definisce l'apertura del fascio luminoso, mentre la posizione di quella posteriore definisce la morbidezza o definizione del fascio stesso.



## 15. DIMMER MECCANICO (BLACK-OUT)

Il seguipersona che avete acquistato viene fornito di serie completo di dimmer meccanico regolabile, che consente la diminuzione progressiva dell'intensità del fascio di luce fino alla posizione di buio completo (black-out). Il dimmer meccanico è posizionato tra i due gruppi di lenti dello zoom.

## 16. PULIZIA E MANUTENZIONE

Per assicurare il massimo della resa del prodotto che avete acquistato, è necessario provvedere con regolarità alle procedure di pulizia e manutenzione delle varie parti. Durante queste procedure assicuratevi che il seguipersona e l'unità ballast siano scollegate dalla rete elettrica o da fonti di alimentazione.

### Manutenzione generale

- \* pulite tutte le parti riflettenti quali specchio e lenti ogniqualvolta risultino sporche. Se necessario procedete all'apertura del prodotto.
- \* controllate con regolarità lo stato della lampada e degli elementi dell'ottica (specchio e lenti) e sostituite gli elementi che dovessero risultare visibilmente danneggiati.
- \* pulite con regolarità i condotti d'aria e le ventole al fine di consentire la regolare funzione di ventilazione forzata del prodotto.
- \* controllate con regolarità lo stato dei collegamenti elettrici e dei cablaggi e sostituite qualsiasi cavo che dovesse risultare danneggiato dal calore o da agenti meccanici.

### Pulizia dei componenti ottici

- Gruppo ottico posteriore:
  - a. Aprite il gruppo ottico posteriore rimuovendo le 4 viti M4 che fissano lo sportello superiore del gruppo.
  - b. Estraete il blocco ottico specchio/lente asferica agendo sulle due viti M5.
  - c. Pulite accuratamente con un panno morbido e riposizionate.
- Gruppo ottico anteriore:
  - a. Fate scorrere gli sportelli posizionati sulla parte inferiore del gruppo ottico anteriore, muovete i gruppi lenti in modo tale da potervi accedere e pulite con un panno morbido.

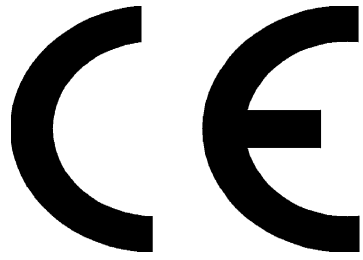
## 17. PARTI DI RICAMBIO

Tutti i componenti di questo prodotto sono disponibili come parti di ricambio singole o come assemblati. Raccomandiamo che, in caso di sostituzione o riparazione, vengano sempre utilizzate parti di ricambio originali LDR. Vi preghiamo di contattare il nostro servizio di assistenza tecnica ogniqualvolta si renda necessario l'acquisto o la fornitura in garanzia di un ricambio.

## **18. GARANZIA**

La nostra garanzia copre tutti i difetti strutturali e di assemblaggio per un periodo di 12 mesi dalla data di acquisto del prodotto. In caso di reclami vi chiediamo gentilmente di utilizzare l'apposito modulo che troverete alla fine di questo manuale o di contattare il rivenditore che vi ha fornito il prodotto descrivendo il più accuratamente possibile il problema riscontrato. In qualsiasi modo vi preghiamo di fornire sempre il numero di serie del prodotto difettoso.

Luci della Ribalta srl si riserva il diritto di apportare qualsivoglia modifica al presente documento senza preavviso.



certificato di conformità  
certificate of conformity  
Konformitätserklärung  
certificat de conformité  
certificado de conformidad

- I** Noi sottoscritti dichiariamo, sotto la nostra completa responsabilità, che i prodotti:  
**GB** We hereby declare under our own responsibility, that the products listed here below:  
**D** Wir beglaubigen, daß die nachfolgend genannten Produkte:  
**F** Nous certifions sous notre responsabilité, que les produits mentionnés ci-dessous:  
**E** Los que subscriben, declaran, bajo su responsabilidad, que los productos aquí listados:

10857180 Canto® 1200 msd/msr  
MK2 230V, black

10857181 Canto® 1200 msd/msr  
MK2 230V, white



- I** sono conformi alle seguenti norme ed ai requisiti delle seguenti direttive CEE:  
**GB** conform to the following standards and to the requirements of following EEC directives:  
**D** den nachfolgend aufgeführten Normen und EEC-Vorschriften entsprechen:  
**F** sont conformes aux normes et prescriptions CEE ci-après:  
**E** cumplen de hecho con las siguientes normas y directivas CEE:

EN 61000-3-2, EN61000-3-3, EN 55024, EN 55022

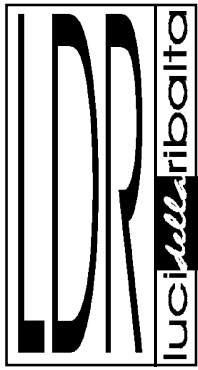
EN 60-598-2-17 1989 including amendments 1/2

EN 60-598-1 1992 including amendment 1

CE marking directive 93/68 EEC

Low voltage directive 73/23/EEC as amended by directive 93/98/EEC

EMC directive 89/336/EEC as amended by directive 91/263/EEC and 92/31/EEC



modulo di reclamo - complaint form  
Reklamationsformular - formulaire de réclamation -  
hoja de reclamaciones

fax: +39 0376 772140

Azienda ed Indirizzo - Company's name and address - Firmenname und Adresse - Nom et adresse -  
Nombre y dirección

---

---

Nome del rivenditore da cui il prodotto è stato acquistato - Name of the dealer where you have purchased  
the product - Namen der Firma, die Ihnen das Produkt verkauft hat - Nom de la société qui vous a vendu ce  
produit - Nombre de la compañía donde han comprado el producto:

---

Prodotto difettoso  
Faulty product  
Defekte s Produkt  
Produit défectueux  
Producto defectuoso

- 10857180  
  
 10857181

Canto® 1200 msd/msr  
MK2 230V, black  
Canto® 1200 msd/msr  
MK2 230V, white

Descrizione del problema /Problem found/Beschreibung des Defekts/Description du défaut/Descripción del problema

---

---

---

---

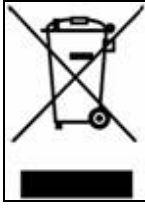
Data d'acquisto - Date of purchase - Kaufdatum - Date de l'achat - Fecha de compra \_\_\_\_\_

Si prega di allegare prova d'acquisto - Please attach copy of purchase invoice - Bitte Kaufnachweis beilegen -  
Veuillez joindre une quittance d'achat - Les rogamos incluyan l copia de la factura de compra.

Nome e qualifica - Name and position - Name und Funktion - Nom et fonction - Nombre y cargo

---

Data - Date - Datum - Date - Fecha \_\_\_\_\_



IT

**Direttiva 2002/96/CE (Rifiuti di Apparecchiature Elettriche ed Elettroniche - RAEE):**  
**informazioni agli utenti: ai sensi dell'art. 13 del Decreto Legislativo 25 luglio 2005, n. 151 "Attuazione delle Direttive 2002/95/CE, 2002/96/CE e 2003/108/CE, relative alla riduzione dell'uso di sostanze pericolose nelle apparecchiature elettriche ed elettroniche, nonché allo smaltimento dei rifiuti" questo prodotto è conforme.**

Il simbolo del cassonetto barrato riportato sull'apparecchiatura o sulla sua confezione indica che il prodotto alla fine della propria vita utile deve essere raccolto separatamente dagli altri rifiuti. L'utente dovrà, pertanto, conferire l'Apparecchiatura giunta a fine vita agli idonei centri di raccolta differenziata dei Rifiuti Elettronici ed Elettrotecnici, oppure riconsegnarla al rivenditore al momento dell'acquisto di una nuova apparecchiatura di tipo equivalente, in ragione di uno a uno. L'adeguata raccolta differenziata per l'avvio successivo dell'apparecchiatura dismessa al riciclaggio, al trattamento ed allo smaltimento ambientalmente compatibile contribuisce ad evitare possibili effetti negativi sull'ambiente e sulla salute e favorisce il reimpiego e/o riciclo dei materiali di cui è composta l'apparecchiatura. Lo smaltimento abusivo del prodotto da parte dell'utente comporta l'applicazione delle sanzioni amministrative previste dalla normativa vigente.

ES

**Directiva 2002/96/EC (Residuos de aparatos eléctricos y electrónicos - RAEE):**  
**Información para el usuario.**

Este producto es conforme con la Directiva EU 2002/96/CE. El símbolo de la papelera barrada situado sobre el aparato indica que este producto, al final de su vida útil, debe ser tratado separadamente de los residuos domésticos. El usuario es responsable de la entrega del aparato al final de su vida útil a los centros de recogida autorizados. El adecuado proceso de recogida diferenciada permite dirigir el aparato desechado al reciclaje, a su tratamiento y a su desmantelamiento de una forma compatible con el medio ambiente, contribuyendo a evitar los posibles efectos negativos sobre el ambiente y la salud, favoreciendo el reciclaje de los materiales de los que está compuesto el producto. Para información más detallada inherente a los sistemas de recogida disponibles, dirigirse al servicio local de recogida o al establecimiento donde se adquirió el producto.

FR

**Directive 2002/96/CE (Déchets d'équipements électriques et électroniques - DEEE):**  
**informations aux utilisateurs.**

Ce produit est conforme à la Directive ED 2002/96/CE. Le symbole de la corbeille barrée reporté sur l'appareil indique que ce dernier doit être éliminé à part lorsqu'il n'est plus utilisable et non pas avec les ordures ménagères. L'utilisateur a la responsabilité de porter l'appareil hors d'usage à un centre de ramassage spécialisé. Le tri approprié des déchets permet d'acheminer l'appareil vers le recyclage, le traitement et l'élimination de façon écologiquement compatible. Il contribue à éviter les effets négatifs possibles sur l'environnement et sur la santé, tout en favorisant le recyclage des matériaux dont est constitué le produit. Pour avoir des informations plus détaillées sur les systèmes de ramassage disponibles, s'adresser au service local d'élimination des déchets ou au revendeur.

DE

**Richtlinie 2002/96/EU (Elektro- und Elektronik-Altgeräte - WEEE):**  
**Benutzerinformationen.**

Dieses Produkt entspricht der EU Richtlinie 2002/96/EU. Das Symbol des auf dem Gerät dargestellten, durchgestrichenen Korbes gibt an, dass das Produkt am Ende seiner Nutzungsdauer gesondert vom Hausmüll zu behandeln ist. Am Ende der Nutzungsdauer ist der Benutzer für die Überantwortung des Geräts an geeignete Sammelstellen verantwortlich. Die angemessene, getrennte Müllsammmlung zwecks umweltkompatibler Behandlung und Entsorgung für den anschließenden Recycling beginn des nicht mehr verwendeten Geräts trägt zur Vermeidung möglicher schädlicher Wirkungen auf Umwelt und Gesundheit bei und begünstigt das Recycling der Materialien, aus denen das Produkt zusammengesetzt ist. Für nähere Informationen bezüglich der zur Verfügung stehenden Sammelsysteme, wenden Sie sich bitte an den örtlichen Müllentsorgungsdienst oder an das Geschäft, in dem der Kauf getätigt worden ist.

UK

**Directive 2002/96/EC (Waste Electrical and Electronic Equipment - WEEE):**  
**information for users.**

This product complies with EU Directive 2002/96/EC. The crossed-out wastebasket symbol on the appliance means that at the end of its useful lifespan, the product must be disposed of separately from ordinary household wastes. The user is responsible for delivering the appliance to an appropriate collection facility at the end of its useful lifespan. Appropriate separate collection to permit recycling, treatment and environmentally compatible disposal helps prevent negative impact on the environment and human health and promotes recycling of the materials making up the product. For more information on available collection facilities, contact your local waste collection service or the shop where you bought this appliance.

NL

**Richtlijn 2002/96/EG (Afgedankte Elektrische en Elektronische Apparaten - AEEA):**  
**informatie voor de gebruikers.**

Dit product voldoet aan de richtlijn EU 2002/96/EG. Het symbool van de vuilnisbak met een streep erdoor, dat op het apparaat staat, geeft aan dat het product, wanneer het wordt afgedankt, niet met het huisvuil kan worden meegegeven. Het is de verantwoordelijkheid van de gebruiker het product, op het moment dat dit wordt afgedankt, in te leveren bij een centrum voor gescheiden afvalverwerking. Een correcte gescheiden afvalverwerking, die gericht is op de recycling van het afgedankte product en die een milieuvriendelijke behandeling en vernietiging mogelijk maakt, draagt ertoe bij mogelijk negatieve effecten op het milieu en op de gezondheid te voorkomen en bevordert het hergebruik van de materialen waaruit het product bestaat. Voor meer gedetailleerde informatie met betrekking tot de voorhanden zijnde afvalverwerkingsystemen dient u zich te wenden tot de plaatselijke vuilnisdienst of tot de winkelier waar u het product heeft gekocht.

PT

**Directiva 2002/96/CE (Resíduos de equipamentos eléctricos e electrónicos REEE):**  
**informações para os utilizadores.**

Este produto é conforme à Directiva EU 2002/96/CE. O símbolo do cesto barrado marcado no aparelho indica que o produto, no fim da própria vida útil, deve ser tratado separadamente do lixo doméstico. O utilizador é responsável pela entrega do aparelho, no fim da vida do mesmo, às apropriadas estruturas de recolha. A adequada recolha diferenciada para o encaminhamento sucessivo do aparelho à reciclagem, ao tratamento e ao escoamento ambientalmente compatível, contribui para evitar possíveis efeitos negativos sobre o ambiente e a saúde e favorece a reciclagem dos materiais que compõem o produto. Para informações mais detalhadas inerentes aos sistemas de recolha disponíveis, dirija-se ao serviço

local de escoamento de resíduos, ou a loja na qual efectuou a compra.

NO

**WEEE-symbolet (Waste Electrical and Electronic Equipment).**

Bruken av WEEE-symbolet indikerer at dette produktet ikke kan behandles som husholdningsavfall. Du vil bidra til å beskytte miljøet ved å sørge for at dette produktet blir avhendet på en forsvarlig måte. Ta kontakt med kommunale myndigheter, renovasjonsselskapet der du bor eller forretningen hvor du kjøpte produktet for å få mer informasjon om resirkulering av dette produktet.

S

**Symbol för avfall från elektrisk och elektronisk utrustning (WEEE).**

Märkning med WEEE-symbolen visar att produkten inte får behandlas som hushållsavfall. Genom att slänga den här produkten på rätt sätt bidrar du till att skydda miljön. Mer information om återvinning av produkten kan du få av de lokala myndigheterna, din renhållningsservice eller i affären där du köpte produkten.

FI

**WEEE-merkintä (sähkö- ja elektroniikkalaiteromu).**

WEEE-merkintä osoittaa, että tätä tuotetta ei voi käsitellä kotitalousjätteen tavoin. Kun huolehdit tämän tuotteen asianmukaisesta hävittämisestä, autat suojelemaan ympäristöä. Lisätietoja tämän tuotteen kierrättämisestä saat paikallisviranomaisilta, jätehuoltoyhtiöltäsi tai myymälästä josta ostit tämän tuotteen.

DK

**Symbol for affald af elektrisk og elektronisk udstyr (WEEE)**

Brugen af WEEE-symbolet betyder, at dette produkt ikke må behandles som husholdningsaffald. Ved at sørge for korrekt bortskaffelse af produktet medvirker du til at beskytte miljøet. Du kan få flere oplysninger om genbrug af dette produkt hos de lokale myndigheder, dit renovationselskab eller i forretningen, hvor du har købt produktet.

HU

**Hulladék elektromos vagy elektronikus készüléket jelölő szimbólum.**

Ez a szimbólum azt jelöli, hogy a terméket nem szabad háztartási hulladékként kezelni. A hulladékká vált termék megfelelő elhelyezésével hozzájárul a környezet védelméhez. A termék újrafelhasználásával kapcsolatban a helyi szerveknél háztartási hulladékokat elszállító vállalatnál vagy a terméket értékesítő üzletben tájékozódhat.

CZ

**Symbol pro odpadní elektrický a elektronický materiál (WEEE).**

Použití symbolu WEEE označuje, že tento produkt neje likvidovat jako domovní odpad. Správnou likvidací tohoto produktu přispějete k ochraně životního prostředí. Podrobnější informace o likvidaci tohoto produktu vám podají místní úřady, společnost pro likvidaci komunálního odpadu nebo obchod, kde jste zboží zakoupili.

