

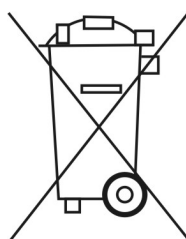
istruzioni per l'uso  
operating instructions  
Bedienungsanleitung  
instrucciones de manejo  
mode d'emploi  
gebruiksaanwijzing

**11907170**

**Canto<sup>®</sup> 2000th MK2  
120V, black**

**11907171**

**Canto<sup>®</sup> 2000th MK2  
120V, white**



Thanks for having chosen Luci della Ribalta srl. We hope our products and services meet your requirements, but should this not be the case, we kindly ask you to contact us directly to help us supply you and all our customers with better and better quality. The product you purchased has been manufactured with maximum care and selected components, but should you, for reasons beyond our control, have received it damaged, we kindly ask you to contact the dealer who supplied the product to you. To help you in this casualty, a form is supplied at the end of this manual.

### **Carefully read user's instructions before using this lighting unit**

The instructions given here below ensure a safe and and correct usage of this product. User's failure to comply with the installation, operating, maintenance and safety procedures mentioned in this manual, as well as those generally applicable to this lighting equipment, may cause the luminaire not to perform as expected.

Luci della Ribalta accepts no liability for direct, indirect, incidental, special, or consequential damages resulting from the customer's failure to follow the installation, operating, maintenance and safety procedures in this manual or those generally applicable to lighting equipment.

The limitation extends to damages for personal injury, property damage, loss of operations, loss of profits, loss of product or loss of time, whether incurred by the customer, the customer's employees or a third part.

**Apart from the instructions given on this manual, all relevant safety and health standards of the appropriate EU/UL Directives must be complied with**

### **IMPORTANT SAFETY NORMS**

- \* this product reaches high temperatures. Avoid any direct contact with its metallic parts.
- \* warning, high voltage ignition.
- \* U.V. rays: the lamps used on the discharge models (Canto 575, 700 and 1200 msd/msr) emit UV rays. Protect your eyes and never look directly at the source of light if bare-eyed
- \* this product features fan assisted ventilation. Make sure you do not cover the fan or obstruct the air flow at any one time.
- \* make sure the fan is working correctly. Should you detect even the lightest malfunctioning, switch the luminaire off and carry out the necessary servicing. Replace the fan if necessary.
- \* this product is rated IP 20 and is therefore designed for interior use only. For details on maximum ambient temperature, minimum distance from flammable objects and tilt angle, please refer to what indicated on the product label.
- \* replace the lamp, the mirror and the lenses if damaged or deformed by heat. Make sure the lamp is cold before attempting to remove it. To perform a correct installation of the lamp, please refer to the lamp manufacturer's instructions included in the lamp box and to the relevant chapters in this manual

\* fixing and replacement of any component of this product must be carried out exclusively by professional personnel in conformity with the relevant safety and health standards and only with original Luci della Ribalta srl components.

\* replacement of any part of the wiring system must be carried out exclusively by professional personnel in compliance with the original wiring diagram and with components identical or compatible with those originally fitted.

\* installation of this product must be exclusively carried out by professional personnel in compliance with the safety norms in force in the country where the product is used.

## 1. CHECK BOX CONTENT

Upon opening the packaging, please make sure it contains the following:

### **luminare:**

- a. followspot
- b. iris diaphragm (black out iris diaphragms if specifically ordered. Not available for Canto 2000th)
- c.  $\varnothing$  1,12 in. spigot with M12 self locking nut and plain washer
- d. instruction leaflet

### **PSU: (only for discharge units, Canto 575, Canto 700 and Canto 1200msd/msr)**

- a. 110/120 Volt 50/60 Hz ballast unit

NOTE: Canto followspots are supplied without front runners and colour frame, available as a separate accessory kit (part nr. 20109106)

## 2. MOUNTING THE SPIGOT

- a. Make sure the tripod you are going to use features a  $\varnothing$ 1,11 in. (28mm) top aperture.
- b. Remove the M12 nut and the washer from the spigot
- c. Insert the spigot in the central hole of the yoke of the followspot from beneath the yoke
- d. Add the plain screw and the M12 self locking nut and tighten the nut with a suitable tool.
- e. mount the followspot on the tripod. Make sure the structure you are fixing the product to can withstand the product load (see product label to check on weight)

## 3. MOUNTING THE COLOUR CHANGER (accessory, part nr. 20105106)

- a. Take the supplied M4 screws and position each one of them, only half-way through, in each one of the M4 Avdel brass inserts on the front plate of the followspot.
- b. Mount colour filters on the colour changer units. See relevant instructions supplied with the colour changer

- c. Position the colour changer unit on the front plate of the follow spot, making sure that the colour levers are positioned on the right-hand side of the follow spot when viewed from behind and hang it to the previously positioned screws.
- d. Release the colour filters of the colour changer in order to have access to the screws and tighten them.
- e. Ensure the colour changer unit is secure, and all three screws are tight.

#### **4. MOUNTING THE IRIS DIAPHRAGM**

The iris diaphragm supplied with the followspot uses 20 leaves to size the beam from a maximum aperture of 2,68in. (68mm) to a minimum of 0,20in (5mm). A black-out iris diaphragm is available on special order.

Fix the diaphragm in position using the two M4 cross head screws supplied

- a. Using a Phillips screw-driver remove the two cross head screws from the sides of the iris plate
- b. slide the diaphragm in the gate area
- c. tighten the screws

#### **important notice:**

***do not leave the iris closed for over:***

- ***10 minutes on Canto 575, Canto 700, Canto 1200 TH and Canto 1200MSR***
- ***2 minutes on Canto 2000 TH while the lamp is on.***

*Use the front dowser to cut "off" the light should you require to have the lamp on with no beam projecting on the stage*

***FAILURE TO COMPLY WITH ABOVE NOTICE MAY CAUSE THE IRIS AND THE FOLLOWSPOT TO SUFFER MAJOR HEAT DAMAGES AND WILL INVALIDATE THE PRODUCT WARRANTY***

#### **5. SHUTTER BLADES**

Shutter blades are not supplied with the unit but are available as separate accessory. They are sold as single items and relevant part number is 80852039.

#### **6. ADJUSTING THE YOKE**

This followspot is provided with a yoke balancing adjustment.

The balancing point is factory set for a standard usage of the product; however, should you need to adjust the balancing, please, proceed as follows:

- a. the followspot must be tripod mounted
- b. using a Phillips screw-driver slacken the 2 M5 screws on each side of the yoke.
- c. gently slide the followspot backwards or forwards to the required position

- d. make sure the yoke is correctly aligned horizontally
- e. tighten the 4 M5 screws

## **7. WIRING**

Before being connected to the mains, this unit needs to be wired with a suitable plug. Make sure the plug you are fitting withstands the lamp power load. Ensure the plug conforms to the relevant EU/UL electrical standards. To perform a correct wiring, please refer to the instructions given on the label attached to the loose end of the mains cable.

## **8. VOLTAGE**

Before operating this unit please refer to the product label mounted at the back of the luminaire to check you are operating with the correct voltage.

## **9. FREQUENCY (Discharge units only)**

Frequency on this product is factory-set to 60Hz. Setting to 50Hz will only be effected upon request from the customer, and prior to shipping of the product to 50Hz countries. Please check the product label to see the frequency for each unit.

Any modification to the factory set frequency must be effected exclusively by professional personnel and under relevant instructions by the manufacturer. Should you therefore need to switch frequency from 60Hz to 50Hz or vice-versa, you are kindly requested to contact Luci della Ribalta srl technical service on phone number:

**+39 0376 781193.**

Qualified personnel will give you detailed and correct instructions on how to effect this operation. Luci della Ribalta srl declines any responsibility in case of damages to the product, other objects or persons caused by an improper or unauthorized frequency setting.

## **10. FUSE (Discharge units only)**

Please refer to the product label to check on the fuse mounted on the unit you have purchased.

## **11. MOUNTING/REPLACING THE LAMP**

Although this unit is supplied with a double-pole microswitch disconnecter, we strongly recommend you disconnect the followspot from the mains supply before mounting the lamp.

- a. choose a suitable lamp type from the following list:

**followspot****lamp types**

Canto 1200 TH MK2

EGT ANSI 1000W G22

Canto 2000 TH MK2

CP79 GY16

Canto 575 msd/msr MK2

Philips MSR 575/2 GX9.5 7200°K 1000 hrs  
Philips MSD 575 GX9.5 6000°K 3000 hrs

Canto 700 msd/msr MK2

Philips MSR 700/2 G22 7200°K 1000 hrs  
Philips MSD700 G22 600°K 4000 hrs

Canto 1200 msd/msr MK2

Philips MSR1200 G22 5900°K 800 hrs  
Philips MSR1200/2 G22 7200°K 800 hrs  
Philips MSD1200 G22 6000°K 3300 hrs**LDR RECOMMENDS PHILIPS LAMPS**

- b. open the lamp-holder block by turning (anti-clockwise) the two ¼ turn fasteners
- c. pull down the lamp-holder block and insert the correct lamp in the lamp holder.  
**MAKE SURE THE LAMP IS CORRECTLY POSITIONED AND PERFECTLY VERTICAL.**
- d. carefully close the lamp block by turning (clockwise) the two ¼ turn fasteners

*LDR declines any responsibility on poor performance of the unit or damages to the inner components in case a non compatible lamp is used.*

**12. LAMPING THE FOLLOW SPOT****Tungsten halogen models:**

- a. Connect the followspot to the mains (fan will start working)
- b. Push the mains switch positioned at the back of the luminaire (lamp is on)

**Discharge models:**

- a. Plug the followspot to the PSU. Please note that each followspot has been factory tested with relevant PSU. Both units are recognized by a serial number (on the outer box and on the unit). Make sure you match each followspot to the relevant PSU
- b. Connect the PSU to the mains
- c. Push the main switch on the PSU (fan will starts working)
- d. Push the main switch positioned at the back of the luminaire (lamp is on)

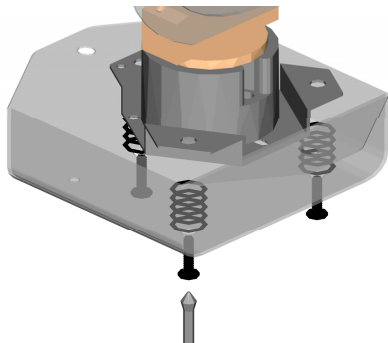
**CAUTION: OPEN THE FIXTURE ONLY 30" AFTER THE LAMP HAS BEEN SWITCHED OFF**

### 13. LAMP SETTING

If you have purchased a discharge unit (Canto 575, Canto 700, Canto 1200 msd/msr) we strongly recommend you check the lamp alignment of your followspot as follows:

- a. Switch on the unit (see point 6, 7 and 8) and project the beam on a flat surface (a wall, for example) at a short distance (3/6 ft)
- b. Completely de-focus the zoom so that you can see the lamp projected on the surface
- c. Close the dowser to a slightly bigger size than the height of the lamp. You should obtain a circle of light including the projection of the lamp
- d. If the lamp is not exactly centered in the circle, set the alignment by slackening/tightening each one of the three screws positioned at the bottom of the holder block (see picture below) until the lamp is perfectly aligned.

**CAUTION: adjust each screw very slowly in order not to cause the lamp bulb to touch the optical system, as this would cause both the lamp and the lenses to explode.**



Once the alignment is correct you can start using your followspot.

### 14. FOCUSING

This fixture features a variable beam angle from 8° to 22°. The variable beam is altered by adjusting the front and rear zoom lenses in relation to each other. The front lens defines the beam spread, the rear lens the focus degree of 'softness' or 'hardness' of the beam edge or shutters.

### 15. BLACK-OUT MECHANICAL DIMMER (DOWSER)

Your followspot is fitted with an adjustable mechanical dimmer (dowser) to dim and finally black-out the light. The black-out mechanical dimmer is located in between the two zoom lenses.

## 16. CLEANING AND MAINTENANCE

To ensure maximum performance of the product, a regular maintenance service should be carried out. Please make sure the product is cold and disconnected from power supply when doing this.

### General maintenance

- \* clean all reflective parts such as reflectors, mirrors and lenses opening the product, if necessary.
- \* check the lamp and the lenses and replace any visibly damaged component.
- \* clean air ducts and fans in order to allow proper ventilation activity on the product.
- \* check internal and external wiring and replace any cable which should be damaged by heat or mechanical agents.

### Cleaning of optical components

- Lamphouse lenses:
  - a. open the lens compartment door by removing the two M4 cross-head screws on the top of the lamphouse tube.
  - b. Remove the lens/mirror assembled block by removing the two M5 cross-head screws.
  - c. Clean the lens/mirror with a soft cloth.
- Zoom lenses:
  1. slide the front zoom door positioned on the bottom of the lens tube and clean with a soft cloth.

## 17. SPARE PARTS

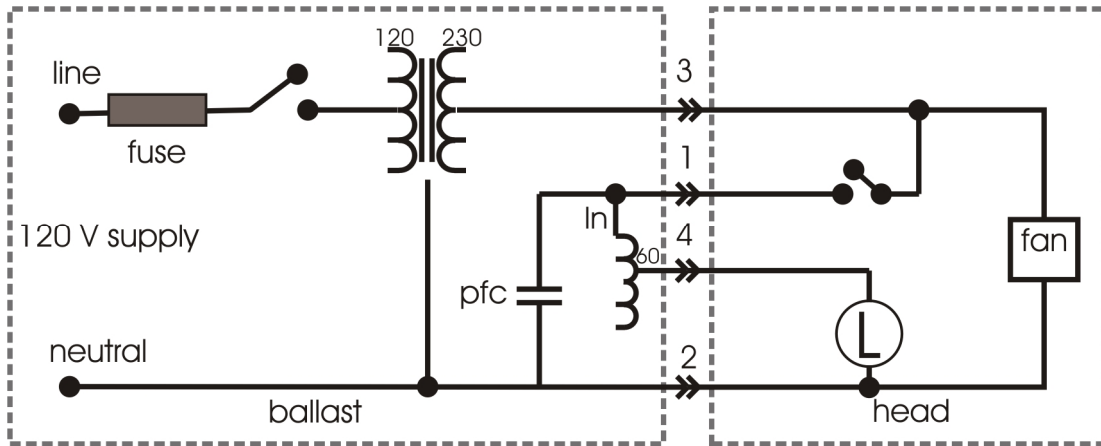
All components are available as spare parts. We strongly recommend you always use original LDR components as spare parts. Please refer to our technical assistance should you need to order and/or replace any part of the unit.

## 18. WARRANTY

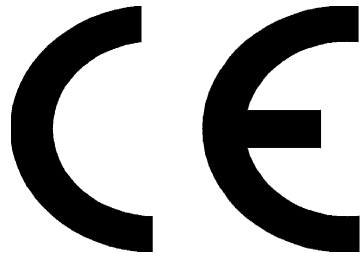
Our warranty covers all structural and manufacture defects for one year from the date you purchased this product. In case of complaints we strongly recommend you use the complaint form at the end of this manual or contact the local dealer who supplied the product to you. In any case please report the serial number of the product.



## 19. WIRING DIAGRAM



Luci della Ribalta srl reserves the right to modify the present document without prior notice.



certificato di conformità  
certificate of conformity  
Konformitätserklärung  
certificat de conformité  
certificado de conformidad

- I** Noi sottoscritti dichiariamo, sotto la nostra completa responsabilità, che i prodotti:  
**GB** We hereby declare under our own responsibility, that the products listed here below:  
**D** Wir beglaubigen, daß die nachfolgend genannten Produkte:  
**F** Nous certifions sous notre responsabilité, que les produits mentionnés ci-dessous:  
**E** Los que subscriben, declaran, bajo su responsabilidad, que los productos aquí listados:

11907170 Canto® 2000th MK2  
120V, black  
11907171 Canto® 2000th MK2  
120V, white



- I** sono conformi alle seguenti norme ed ai requisiti delle seguenti direttive CEE:  
**GB** conform to the following standards and to the requirements of following EEC directives:  
**D** den nachfolgend aufgeführten Normen und EEC-Vorschriften entsprechen:  
**F** sont conformes aux normes et prescriptions CEE ci-après:  
**E** cumplen de hecho con las siguientes normas y directivas CEE:

EN 61000-3-2, EN61000-3-3, EN 55024, EN 55022

EN 60-598-2-17 1989 including amendments 1/2

EN 60-598-1 1992 including amendment 1

CE marking directive 93/68 EEC

Low voltage directive 73/23/EEC as amended by directive 93/98/EEC

EMC directive 89/336/EEC as amended by directive 91/263/EEC and 92/31/EEC



modulo di reclamo - complaint form  
Reklamationsformular - formulaire de réclamation -  
hoja de reclamaciones

fax: +39 0376 772140

Azienda ed Indirizzo - Company's name and address - Firmenname und Adresse - Nom et adresse -  
Nombre y dirección

---

---

Nome del rivenditore da cui il prodotto è stato acquistato - Name of the dealer where you have purchased  
the product - Namen der Firma, die Ihnen das Produkt verkauft hat - Nom de la société qui vous a vendu ce  
produit - Nombre de la compañía donde han comprado el producto:

---

Prodotto difettoso

Faulty product

Defekte s Produkt

Produit défectueux

Producto defectuoso

11907170

11907171

Canto® 2000th MK2

120V, black

Canto® 2000th MK2

120V, white

Descrizione del problema /Problem found/Beschreibung des Defekts/Description du défaut/Descripción del problema

---

---

---

---

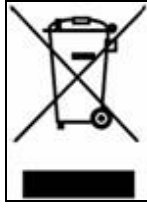
Data d'acquisto - Date of purchase - Kaufdatum - Date de l'achat - Fecha de compra \_\_\_\_\_

Si prega di allegare prova d'acquisto - Please attach copy of purchase invoice - Bitte Kaufnachweis beilegen -  
Veuillez joindre une quittance d'achat - Les rogamos incluyan l copia de la factura de compra.

Nome e qualifica - Name and position - Name und Funktion - Nom et fonction - Nombre y cargo

---

Data - Date - Datum - Date - Fecha \_\_\_\_\_



IT

**Direttiva 2002/96/CE (Rifiuti di Apparecchiature Elettriche ed Elettroniche - RAEE):**  
**informazioni agli utenti: ai sensi dell'art. 13 del Decreto Legislativo 25 luglio 2005, n. 151 "Attuazione delle Direttive 2002/95/CE, 2002/96/CE e 2003/108/CE, relative alla riduzione dell'uso di sostanze pericolose nelle apparecchiature elettriche ed elettroniche, nonché allo smaltimento dei rifiuti" questo prodotto è conforme.**

Il simbolo del cassonetto barrato riportato sull'apparecchiatura o sulla sua confezione indica che il prodotto alla fine della propria vita utile deve essere raccolto separatamente dagli altri rifiuti. L'utente dovrà, pertanto, conferire l'Apparecchiatura giunta a fine vita agli idonei centri di raccolta differenziata dei Rifiuti Elettronici ed Elettrotecnici, oppure riconsegnarla al rivenditore al momento dell'acquisto di una nuova apparecchiatura di tipo equivalente, in ragione di uno a uno. L'adeguata raccolta differenziata per l'avvio successivo dell'apparecchiatura dismessa al riciclaggio, al trattamento ed allo smaltimento ambientalmente compatibile contribuisce ad evitare possibili effetti negativi sull'ambiente e sulla salute e favorisce il reimpiego e/o riciclo dei materiali di cui è composta l'apparecchiatura. Lo smaltimento abusivo del prodotto da parte dell'utente comporta l'applicazione delle sanzioni amministrative previste dalla normativa vigente.

ES

**Directiva 2002/96/EC (Residuos de aparatos eléctricos y electrónicos - RAEE):**  
**Información para el usuario.**

Este producto es conforme con la Directiva EU 2002/96/CE. El símbolo de la papelera barrada situado sobre el aparato indica que este producto, al final de su vida útil, debe ser tratado separadamente de los residuos domésticos. El usuario es responsable de la entrega del aparato al final de su vida útil a los centros de recogida autorizados. El adecuado proceso de recogida diferenciada permite dirigir el aparato desechado al reciclaje, a su tratamiento y a su desmantelamiento de una forma compatible con el medio ambiente, contribuyendo a evitar los posibles efectos negativos sobre el ambiente y la salud, favoreciendo el reciclaje de los materiales de los que está compuesto el producto. Para información más detallada inherente a los sistemas de recogida disponibles, dirigirse al servicio local de recogida o al establecimiento donde se adquirió el producto.

FR

**Directive 2002/96/CE (Déchets d'équipements électriques et électroniques - DEEE):**  
**informations aux utilisateurs.**

Ce produit est conforme à la Directive ED 2002/96/CE. Le symbole de la corbeille barrée reporté sur l'appareil indique que ce dernier doit être éliminé à part lorsqu'il n'est plus utilisable et non pas avec les ordures ménagères. L'utilisateur a la responsabilité de porter l'appareil hors d'usage à un centre de ramassage spécialisé. Le tri approprié des déchets permet d'acheminer l'appareil vers le recyclage, le traitement et l'élimination de façon écologiquement compatible. Il contribue à éviter les effets négatifs possibles sur l'environnement et sur la santé, tout en favorisant le recyclage des matériaux dont est constitué le produit. Pour avoir des informations plus détaillées sur les systèmes de ramassage disponibles, s'adresser au service local d'élimination des déchets ou au revendeur.

DE

**Richtlinie 2002/96/EU (Elektro- und Elektronik-Altgeräte - WEEE):**  
**Benutzerinformationen.**

Dieses Produkt entspricht der EU Richtlinie 2002/96/EU. Das Symbol des auf dem Gerät dargestellten, durchgestrichenen Korbes gibt an, dass das Produkt am Ende seiner Nutzungsdauer gesondert vom Hausmüll zu behandeln ist. Am Ende der Nutzungsdauer ist der Benutzer für die Überantwortung des Geräts an geeignete Sammelstellen verantwortlich. Die angemessene, getrennte Müllsammmlung zwecks umweltkompatibler Behandlung und Entsorgung für den anschließenden Recycling beginn des nicht mehr verwendeten Geräts trägt zur Vermeidung möglicher schädlicher Wirkungen auf Umwelt und Gesundheit bei und begünstigt das Recycling der Materialien, aus denen das Produkt zusammengesetzt ist. Für nähere Informationen bezüglich der zur Verfügung stehenden Sammelsysteme, wenden Sie sich bitte an den örtlichen Müllentsorgungsdienst oder an das Geschäft, in dem der Kauf getätigt worden ist.

UK

**Directive 2002/96/EC (Waste Electrical and Electronic Equipment - WEEE):**  
**information for users.**

This product complies with EU Directive 2002/96/EC. The crossed-out wastebasket symbol on the appliance means that at the end of its useful lifespan, the product must be disposed of separately from ordinary household wastes. The user is responsible for delivering the appliance to an appropriate collection facility at the end of its useful lifespan. Appropriate separate collection to permit recycling, treatment and environmentally compatible disposal helps prevent negative impact on the environment and human health and promotes recycling of the materials making up the product. For more information on available collection facilities, contact your local waste collection service or the shop where you bought this appliance.

NL

**Richtlijn 2002/96/EG (Afgedankte Elektrische en Elektronische Apparaten - AEEA):**  
**informatie voor de gebruikers.**

Dit product voldoet aan de richtlijn EU 2002/96/EG. Het symbool van de vuilnisbak met een streep erdoor, dat op het apparaat staat, geeft aan dat het product, wanneer het wordt afgedankt, niet met het huisvuil kan worden meegegeven. Het is de verantwoordelijkheid van de gebruiker het product, op het moment dat dit wordt afgedankt, in te leveren bij een centrum voor gescheiden afvalverwerking. Een correcte gescheiden afvalverwerking, die gericht is op de recycling van het afgedankte product en die een milieuvriendelijke behandeling en vernietiging mogelijk maakt, draagt ertoe bij mogelijk negatieve effecten op het milieu en op de gezondheid te voorkomen en bevordert het hergebruik van de materialen waaruit het product bestaat. Voor meer gedetailleerde informatie met betrekking tot de voorhanden zijnde afvalverwerkingsystemen dient u zich te wenden tot de plaatselijke vuilnisdienst of tot de winkelier waar u het product heeft gekocht.

PT

**Directiva 2002/96/CE (Resíduos de equipamentos eléctricos e electrónicos REEE):**  
**informações para os utilizadores.**

Este produto é conforme à Directiva EU 2002/96/CE. O símbolo do cesto barrado marcado no aparelho indica que o produto, no fim da própria vida útil, deve ser tratado separadamente do lixo doméstico. O utilizador é responsável pela entrega do aparelho, no fim da vida do mesmo, às apropriadas estruturas de recolha. A adequada recolha diferenciada para o encaminhamento sucessivo do aparelho à reciclagem, ao tratamento e ao escoamento ambientalmente compatível, contribui para evitar possíveis efeitos negativos sobre o ambiente e a saúde e favorece a reciclagem dos materiais que compõem o produto. Para informações mais detalhadas inerentes aos sistemas de recolha disponíveis, dirija-se ao serviço

local de escoamento de resíduos, ou a loja na qual efectuou a compra.

NO

**WEEE-symbolet (Waste Electrical and Electronic Equipment).**

Bruken av WEEE-symbolet indikerer at dette produktet ikke kan behandles som husholdningsavfall. Du vil bidra til å beskytte miljøet ved å sørge for at dette produktet blir avhendet på en forsvarlig måte. Ta kontakt med kommunale myndigheter, renovasjonsselskapet der du bor eller forretningen hvor du kjøpte produktet for å få mer informasjon om resirkulering av dette produktet.

S

**Symbol för avfall från elektrisk och elektronisk utrustning (WEEE).**

Märkning med WEEE-symbolen visar att produkten inte får behandlas som hushållsavfall. Genom att slänga den här produkten på rätt sätt bidrar du till att skydda miljön. Mer information om återvinning av produkten kan du få av de lokala myndigheterna, din renhållningsservice eller i affären där du köpte produkten.

FI

**WEEE-merkintä (sähkö- ja elektroniikkalaiteromu).**

WEEE-merkintä osoittaa, että tätä tuotetta ei voi käsitellä kotitalousjätteen tavoin. Kun huolehdit tämän tuotteen asianmukaisesta hävittämisestä, autat suojelemaan ympäristöä. Lisätietoja tämän tuotteen kierrättämisestä saat paikallisviranomaisilta, jätehuoltoyhtiöltäsi tai myymälästä josta ostit tämän tuotteen.

DK

**Symbol for affald af elektrisk og elektronisk udstyr (WEEE)**

Brugen af WEEE-symbolet betyder, at dette produkt ikke må behandles som husholdningsaffald. Ved at sørge for korrekt bortskaffelse af produktet medvirker du til at beskytte miljøet. Du kan få flere oplysninger om genbrug af dette produkt hos de lokale myndigheder, dit renovationselskab eller i forretningen, hvor du har købt produktet.

HU

**Hulladék elektromos vagy elektronikus készüléket jelölő szimbólum.**

Ez a szimbólum azt jelöli, hogy a terméket nem szabad háztartási hulladékként kezelni. A hulladékká vált termék megfelelő elhelyezésével hozzájárul a környezet védelméhez. A termék újrafelhasználásával kapcsolatban a helyi szerveknél háztartási hulladékokat elszállító vállalatnál vagy a terméket értékesítő üzletben tájékozódhat.

CZ

**Symbol pro odpadní elektrický a elektronický materiál (WEEE).**

Použití symbolu WEEE označuje, že tento produkt neje likvidovat jako domovní odpad. Správnou likvidací tohoto produktu přispějete k ochraně životního prostředí. Podrobnější informace o likvidaci tohoto produktu vám podají místní úřady, společnost pro likvidaci komunálního odpadu nebo obchod, kde jste zboží zakoupili.

