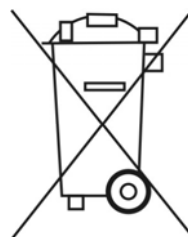


istruzioni per l'uso
operating instructions
Bedienungsanleitung
instrucciones de manejo
mode d'emploi
gebruiksaanwijzing

10907190 Tango 2000msr FF 180/260V

K10907190 Tango 2000msr FF kit
180/260V



ENGLISH – TABLE OF CONTENTS

Important safety norms	page 3
1. Check packing content.....	page 4
2. Tripod-mounting.....	page 4
3. Mounting the colour changer	page 5
4. Mounting the iris diaphragm	page 5
5. Adjusting the yoke	page 5
6. Wiring	page 6
7. Voltage	page 6
8. Frequency	page 6
9. Fuse	page 7
10. Mounting or replacing the lamp	page 7
11. Lamping the followspot	page 7
12. Lamp alignment	page 8
13. Focusing	page 9
14. Black-out mechanical dimmer	page 9
15. Cleaning and maintenance	page 9
16. Spare parts	page 9
17. Warranty	page 10
18. Available accessories	page 10

ITALIANO – INDICE

Importanti norme di sicurezza.....	pag. 11
1. Controllo del contenuto dell'imballo	pag. 12
2. Montaggio su stativo	pag. 13
3. Montaggio del cambia-colori	pag. 13
4. Montaggio del diaframma ad iride	pag. 13
5. Regolazione della forcella	pag. 14
6. Cablaggio	pag. 14
7. Voltaggio	pag. 15
8. Frequenza	pag. 15
9. Fusibile	pag. 15
10. Installazione o sostituzione della lampada	pag. 15
11. Accensione del seguipersona	pag. 16
12. Allineamento della lampada	pag. 17
13. Messa a fuoco	pag. 17
14. Dimmer meccanico	pag. 18
15. Pulizia e manutenzione	pag. 18
16. Parti di ricambio	pag. 19
17. Garanzia	pag. 19
18. Accessori disponibili	pag. 19

ESPAÑOL – ÍNDICE

Importantes normas de seguridad	pag. 20
1. Inspección del embalaje	pag. 21
2. Instalación sobre tripode.....	pag. 22

3. Instalación del cambio de colores	pag. 22
4. Instalación del diafragma iris	pag. 22
5. Ajuste de la lira	pag. 23
6. Enchufe	pag. 23
7. Voltaje	pag. 24
8. Frecuencia	pag. 24
9. Fusible	pag. 24
10. Instalación o sustitución de la lámpara	pag. 24
11. Encendido del cañon	pag. 25
12. Ajuste de la lámpara	pag. 25
13. Enfoque	pag. 26
14. Dimer mecánico	pag. 27
15. Limpieza y mantenimiento	pag. 27
16. Repuestos	pag. 28
17. Garantia	pag. 28
18. Accesorios disponibles	pag. 28

LDR Conformity Certificate – Certificato di Conformità – Konformitätserklärung	Page 29
Complaint form – Modulo di reclamo – Reklamationsformular	Page 30
WEEE Directive – Direttiva RAEE – WEEE Richtlinie	Page 31

ENGLISH

Thank you for choosing Luci della Ribalta srl. We hope our products and services meet your expectations, but should this not be the case, we kindly ask that you contact us directly to help us supply you and all our customers with better quality and service. The product you purchased has been manufactured with maximum care and selected components, but should you, for reasons beyond our control, have received it damaged, we kindly ask you to contact the dealer who supplied the product to you. To help you in this casualty, a form is supplied at the end of this manual.

Carefully read user's instructions before using this lighting unit.

The instructions given below will ensure safe installation and usage of this product. User's failure to comply with the installation, operating, maintenance and safety procedures mentioned in this manual, as well as those generally applicable to this lighting equipment, may cause the luminaire not to perform as expected.

Luci della Ribalta Srl accepts no liability for direct, indirect, incidental, special, or consequential damages resulting from the customer's failure to follow the installation, operating, maintenance and safety procedures in this manual or those generally applicable to lighting equipment.

The limitation extends to damages for personal injury, property damage, loss of operation, loss of profits, loss of product or loss of time, whether incurred in by the customer, the customer's employees or a third part.

Apart from the instructions given in this manual, all relevant safety and health standards of the appropriate EU and local Directives must be complied with

IMPORTANT SAFETY NORMS

- * This product reaches high temperatures. Avoid any direct contact with its metallic parts.
- * Warning, high voltage ignition.
- * U.V. rays: Discharge lamps emit UV rays. Protect your eyes and never look directly at the source of light if bare-eyed
- * This product features fan-assisted ventilation. Make sure you do not cover the fans or obstruct the air flow at any one time.
- * Make sure the fans are working correctly. Should you detect even the slightest malfunction, switch the luminaire off and carry out the necessary servicing. Replace the fan if necessary.
- * This product is rated IP 20 and is therefore designed for interior use only. For details on maximum ambient temperature, minimum distance from flammable objects and tilt angle, please refer to what indicated on the product label.
- * Replace the lamp, the mirror and the lenses if damaged or deformed by heat. Make sure the lamp is cold before attempting to remove it. To perform a correct installation of the lamp, please refer to the lamp manufacturer's instructions included in the lamp box and to the relevant chapters in this manual.

* Repairing and replacement of any component of this product must be carried out exclusively by professional personnel in conformity with the relevant safety and health standards and only with original Luci della Ribalta srl components.

* Replacement of any part of the wiring system must be carried out exclusively by professional personnel in compliance with the original wiring diagram and with components identical to or compatible with those originally fitted.

* Installation of this product must be exclusively carried out by professional personnel in compliance with the safety norms in force in the country where the product is used.

1. CHECK PACKING CONTENT

Upon opening the packaging, please make sure it contains the following:

A. In case you bought just the followspot – item #10907190 TANGO 2000msr FF

1. luminaire:

- | | |
|---|--------------------|
| a. Followspot | net weight kg 36.0 |
| b. Iris diaphragm | |
| c. 7-colour colour magazine – integral, not mounted | net weight kg 2.0 |

2. PSU:

- | | |
|--|-------------------|
| a. 180/260V separate electronic ballast unit | net weight kg 7,5 |
|--|-------------------|

B. In case you bought the complete kit – item #K10907190 packed in a flight-case:

- | | |
|---|--------------------|
| a. Follow-spot | net weight kg 36.0 |
| b. Electronic ballast unit | net weight kg 7.5 |
| c. Iris diaphragm | |
| d. 7-colour colour magazine, mounted on the followspot | net weight kg 2,0 |
| e. Heavy duty follow-spot tripod | net weight kg 11,1 |
| f. Philips MSR Gold 2000/2 FastFit lamp - PGJX50, 7500K 750 hours | |

2. TRIPOD-MOUNTING

- Make sure the tripod you have chosen for the Tango has a suitable head to accommodate the TANGO Stirrup (DIN plate)
- LDR strongly recommends you use A20102311 Heavy-duty tripod, which has been specifically designed for the TANGO range of followspots and which is fitted with a large holding base and a fluid head which grants a totally smooth and wobble-free operation of your followspot
- Mount the followspot on the tripod. Make sure the structure you are fixing the product to can withstand the product load (see above list and product label).

3. MOUNTING THE COLOUR CHANGER (accessory, part nr. 20105107)

This section only applies in case you bought the followspot only. In case you purchased the kit version the colour changer comes already fitted to the followspot.

In order to perform this operation you will need a Phillips screw driver with a minimum length of 16cm

- Mount colour filters on the colour changer units. See relevant instructions supplied with the colour changer.
- Slightly unscrew the M4 screws fitted in each one of the M4 brass inserts on the front plate of the followspot
- Position the colour changer unit on the front plate of the follow spot, making sure that the colour levers are positioned on the right-hand side of the follow-spot when viewed from behind and hang it to the previously positioned screws.
- Release the colour filters of the colour changer in order to have access to the screws and tighten them.
- Ensure the colour changer unit is secure, and all 4 screws are tight.
- Connect the jacked-wire of the colour changer to the plug fitted on the cover of the right-end side (seen from the front of the Tango) side handle
- Make sure that during operation the colour changer is always connected to the unit and the fan is working properly

4. MOUNTING THE IRIS DIAPHRAGM

The iris diaphragm supplied with the followspot has 24 leaves to size the beam from a maximum aperture of 8° to a minimum of 4°.

- Using a Phillips screw-driver remove the two cross-head screws from the sides of the iris plate.
- Slide the diaphragm in the gate area.
- Tighten the screws.

Important notice: do not leave the iris closed for over 5 minutes while the lamp is on

Use the front dowsers to “cut off” the light should you require to have the lamp on with no beam projecting on the stage.

FAILURE TO COMPLY WITH THE ABOVE NOTICE MAY CAUSE THE IRIS AND THE FOLLOWSPOT TO SUFFER MAJOR HEAT DAMAGES AND WILL INVALIDATE THE PRODUCT WARRANTY

5. ADJUSTING THE YOKE

This followspot is provided with a yoke balancing adjustment. The balancing point is factory set for the standard product configuration supplied with colour changer. However, should you need to adjust the balancing, please follow the procedure here below.

Two persons, one at the front and one at the back of the followspot are needed to perform this operation

- Mount the followspot on the tripod stand with all relevant accessories attached.
- Using a Phillips screw driver, loosen the 3 M5 screws on each side of the yoke.
- Gently slide the followspot backwards or forwards to the required position.
- Make sure the yoke is correctly aligned horizontally.
- Tighten the 6 M5 screws




6. WIRING

Before being connected to the mains power, this unit may need to be wired with a suitable plug if not already installed. Make sure the plug you are using is rated for the proper power load and it conforms to the relevant EU/UL or local electrical standards.

- Make sure the plug you are fitting withstands the lamp power load.
- This fixture must be grounded
- To perform a correct wiring, please note that the cores in this mains lead are colour-coded as follows:

Ground: green+yellow – Neutral: blue - Hot: brown

In case the colours of the wires do not correspond to the colour of the connection points on your plug, please proceed as follows:

- The green or green and yellow wire must be connected to the connection point marked with the letter E or with the symbol  or coloured in green or in green-yellow
- The blue wire must be connected to the connection point marked with the letter N or with the symbol  or coloured in black
- The brown wire must be connected to the connection point marked with the letter L or with the symbol  or coloured in red
- Before you finally position this product for use, temporarily connect it to a properly fused power supply to check the lamp works correctly.

7. VOLTAGE

Before operating this unit please refer to the product label mounted on the ballast unit to check you are operating with the correct voltage.

The Tango 2000 MSR FF **can be operated between 180V and 260V** and the electronic ballast will automatically switch to the available voltage.

8. FREQUENCY

Frequency on this product is automatically selected by the electronic PSU (50/60Hz)

9. FUSE

The PSU is fitted with a 20A 6.3x32 UR fast fuse. In case a replacement is needed, always make sure you use a suitable and compatible fuse. The fuse is located on the ballast unit.

10. MOUNTING OR REPLACING THE LAMP

Always disconnect the follow-spot from the power supply before installing the lamp. The Tango 2000 MSR FF can be operated with one of the following lamps:

2000W 6000K Philips 2000 MSR Gold Fast Fit PGJX50 750 hrs
2000W 7500K Philips 2000 MSR Gold/2 Fast Fit PGJX50 750 hrs

- Make sure the unit is cold and disconnected from the power source.
- If replacing a lamp use a proper thermal protection for your hands (ex. gloves) in case the lamp is still hot.
- Protect the lamp from abrasion and scratches. Do not install or use a cracked or broken lamp. In case a lamp cracks or breaks, disconnect from the power supply, allow the unit to cool and remove/replace the broken lamp.
- Never touch the lamp bulb with bare hands. Oil and grease can contaminate the quartz surface and reduce the lamp performance and life of the lamp.
- Do not remove the plastic protection around the lamp until after having installed the lamp.
- Using a plain screw driver open the lamp-holder panel positioned on the left-hand side of the lamp house by turning (counter clockwise) the two ¼ turn fasteners.
- Remove the panel.
- Remove the lamp (if operating a replacement) by holding the ceramic base and turning it until the lamp is dislodged
- Place the new lamp in by holding the ceramic base and turning it until the base is locked in position.
- Re-position the lamp holder panel by turning clockwise the two ¼ turn fasteners

LDR declines any responsibility on poor performance of the unit or damages to the inner components in case a non compatible lamp is used.

11. LAMPING THE FOLLOWSPOT

- Plug the follow spot to the electronic PSU. Please note that each followspot has been factory tested with relevant PSU. Both units are recognized by a serial number (on the outer box, on the units and on the front cover of the instruction manual). Make sure you match each followspot to the relevant PSU.
- Connect the PSU to your power supply (180V – 260V)
- Turn to the right (1/4 turn) the on/off selector on the PSU (fans will start working).
- A RED LIGHT comes up from inside the ballast (visible from the ventilation slots beside the on/off selector)
- WAIT UNTIL THE RED LIGHT TURNS GREEN (3/5 seconds – BUT NO LONGER)
- Turn to the right (1/4 turn) the on/off selector positioned at the back of the luminaire (lamp is on).

The lamp will only switch on once the green light in the ballast is on. Should you have waited too long the PSU will not have found the lamp when trying to strike it. The ballast will try for 10 times and then stop, assuming no lamp is inserted after which the lamp will not go on. In this case please switch the PSU off and start again

CAUTION

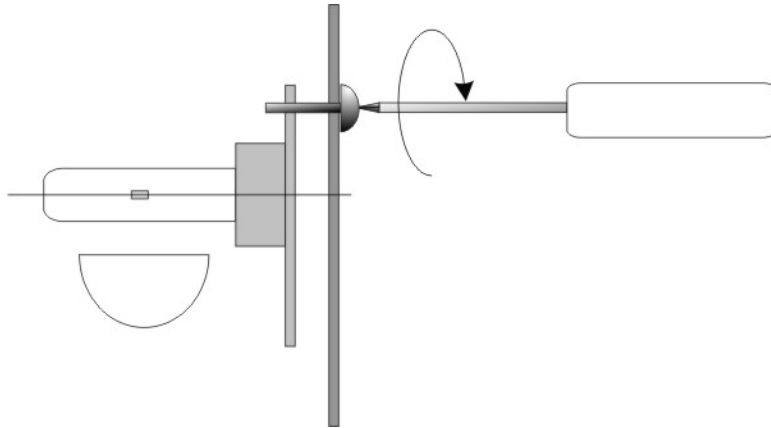
**BEFORE OPENING THE FIXTURE, WAIT FOR 10 MINUTES
AFTER THE LAMP HAS BEEN SWITCHED OFF**

12. LAMP ALIGNMENT

For an optimum performance of the followspot, lamp alignment must be checked and performed each time a new lamp is fitted or an old lamp is replaced. Please proceed as follows:

- Switch on the unit and project the beam on a flat surface (a wall, for example) at a short distance (0,5m approximately).
- Completely de-focus the zoom so that you can see the lamp or its filaments projected on the surface.
- Close the dowser to a slightly bigger size than the height of the lamp. You should obtain a circle of light including the projection of the lamp.
- If the lamp is not exactly centered in the circle, set the alignment by loosening/tightening each one of the chrome M4 screws positioned on the left-hand side of the lamp-house near the lamp-holder panel.

CAUTION: adjust the screws very slowly in order not to cause the lamp bulb to touch any of the components of the optical system as this would cause both the lamp and the lenses to explode.



Once the alignment is correct you can start using your followspot.

13. FOCUSING

This fixture features a variable beam angle from 4° to 8°. The variable beam is modified by adjusting the front and rear zoom lenses in relation to each other.

The front lens defines the beam spread, the rear lens defines the focus degree of 'softness' or 'hardness' of the beam edge or shutters.

14. BLACK-OUT MECHANICAL DIMMER (DOWSER)

Your followspot is fitted with an adjustable mechanical dimmer (dowser) to dim and finally black-out the light. The black-out mechanical dimmer is located between the front of the lens-tube and the colour changer. A screen printing is provided on the upper front cover of the lens tube (near the lever operating the dowser) to help you position the dowser at the required dimming position (0% - 100%)

15. CLEANING AND MAINTENANCE

To ensure maximum performance of the product, a regular maintenance service should be carried out. Please make sure the product is cold and disconnected from power supply when doing this.

General maintenance

- * Clean all reflective parts such as reflectors, mirrors and lenses opening the product, if necessary.
- * Check the lamp and the lenses and replace any visibly damaged component.
- * Clean air ducts and fans in order to allow proper ventilation activity on the product.
- * Check internal and external wiring and replace any cable which should be damaged by heat or mechanical agents.

Cleaning of optical components

- Lamphouse lenses:

- Open the lens compartment door by removing the two M4 cross head screws on the top of the lamphouse tube.
 - Remove the lens/mirror assembled block by removing the two M5 cross head screws.
 - Clean the lens/mirror with a soft cloth.
- Zoom lenses:
 - Slide the front zoom door positioned on the bottom of the lens tube and clean with a soft cloth.

16. SPARE PARTS

All components are available as spare parts. We strongly recommend you always use original LDR components as spare parts. Please refer to our technical assistance should you need to order and/or replace any part of the unit.

17. WARRANTY

Our warranty covers all structural and manufacture defects from one year from the date you purchased this product. In case of complaints we strongly recommend you use the complaint form at the end of this manual or contact the local dealer who supplied the product to you. In any case please report the serial number of the product.

18. AVAILABLE ACCESSORIES

A30900320	Lamp MSR Gold 2000 FastFit - PGJX50, 7500K 750 hours
A30900321	Lamp MSR Gold 2000 FastFit - PGJX50, 6000K 750 hours
A20105107	Spare 7-colour colour changer magazine
A20100710	Spare iris diaphragm
A20102311	HD Black followspot tripod with fluid head
A20107071	Kit for remote manual control of dowsers
A20107190	Flight-case with braking wheels, stackable
V90MLRT100FR	Braking wheel (1pc) for flight case

Luci della Ribalta srl reserves the right to modify the present document without prior notice.

ITALIANO

Grazie per aver scelto Luci della Ribalta srl. Speriamo che i nostri prodotti e servizi soddisfino le vostre esigenze, ma se così non fosse vi preghiamo di contattarci direttamente per aiutarci ad offrire a voi ed a tutti i nostri clienti un servizio sempre migliore.

Il prodotto che avete acquistato è stato fabbricato con il massimo della cura e con componenti di elevata qualità. Nel caso in cui, per ragioni indipendenti dalla nostra volontà, l'aveste ricevuto danneggiato, vi preghiamo di contattare il rivenditore che ve l'ha fornito. Per aiutarvi in questa evenienza, abbiamo inserito un modulo di reclamo alla fine di questo manuale.

Leggete attentamente questo manuale prima di utilizzare questa apparecchiatura elettrica

Le istruzioni qui di seguito riportate assicurano un utilizzo corretto e sicuro del prodotto che avete acquistato. La mancata osservanza delle procedure di installazione, funzionamento, manutenzione e sicurezza qui indicate, oltre alle norme generali di utilizzo di questo tipo di prodotti potrebbe essere causa di malfunzionamento dell'apparecchiatura o di rese diverse da quanto specificato dal produttore.

Luci della Ribalta non si assume alcuna responsabilità in caso di danno diretto, indiretto, accidentale, specifico o conseguente a cose o persone derivante dalla mancata osservanza da parte dell'utilizzatore delle procedure di installazione, funzionamento, manutenzione e sicurezza indicate in questo manuale e di quelle genericamente applicabili a questa categoria di prodotto.

La limitazione si estende a danni a persone, cose, proprietà, interruzione o perdita di attività, mancato profitto, o perdita di tempo, causati dal cliente, da un suo dipendente o da terzi.

L'utilizzo di questa apparecchiatura è regolato, oltre che dalle prescrizioni qui indicate, anche da tutte le relative norme di sicurezza e protezione della salute riportate nelle specifiche direttive EU relative a questo tipo di apparecchiature.

IMPORTANTI NORME DI SICUREZZA

* questa apparecchiatura raggiunge temperature elevate. Evitate qualsiasi contatto diretto con le parti metalliche.

* **ATTENZIONE**, accensione ad alto voltaggio.

* raggi UV: le lampade utilizzate sui modelli a scarica emettono raggi UV. Proteggete gli occhi e non esponeteli mai alla luce diretta della lampada. Evitate in qualsiasi modo di guardare alla fonte di luce senza un'adeguata protezione sugli occhi.

* questa apparecchiatura è dotata di ventilazione forzata. Assicuratevi di non coprire mai la ventola e la relativa griglia di protezione con alcun oggetto e di non ostruire in alcun caso il flusso di uscita dell'aria.

* assicuratevi che la ventola funzioni correttamente. Nel caso in cui doveste notare anche il

minimo malfunzionamento, spegnete immediatamente l'apparecchiatura e procedete alle necessarie operazioni di manutenzione, sostituendo la ventola se necessario.

* questo prodotto è classificato IP20 ed è quindi adatto al solo utilizzo in interni. Per informazioni sulla temperatura ambiente massima consentita, sulla distanza minima del prodotto da oggetti infiammabili e l'angolo massimo di inclinazione utilizzabile, vi preghiamo di far riferimento a quanto riportato sull'etichetta del prodotto.

* sostituite la lampada, lo specchio e le lenti se danneggiate o deformate dal calore. Assicuratevi che la lampada sia fredda prima di iniziarne la sostituzione. Per eseguire una corretta installazione della lampada vi preghiamo di attenervi alle istruzioni del fabbricante riportate all'interno della confezione della lampada stessa ed al relativo capitolo di istruzioni di questo manuale.

* la riparazione e/o sostituzione di qualsiasi componente di questo prodotto deve essere effettuata esclusivamente da personale qualificato in conformità con le specifiche norme di sicurezza e protezione della persona ed esclusivamente con parti di ricambio originali Luci della Ribalta.

* la riparazione e/o sostituzione di qualsiasi componente delle parti elettriche deve essere effettuata esclusivamente da personale qualificato in conformità con gli schemi elettrici forniti da Luci della Ribalta e con componenti identici o compatibili con quelli originariamente montati.

* l'installazione di questo prodotto deve essere effettuata esclusivamente da personale qualificato in conformità con le specifiche norme di sicurezza e protezione della persona in vigore nel paese in cui il prodotto viene utilizzato.

1. CONTROLLO DEL CONTENUTO DELL'IMBALLO

All'apertura dell'imballaggio, assicuratevi che questo contenga quanto segue:

1. Se avete acquistato solo il segui-persona Tango 2000msr FF, cod. 10907190

illuminatore:

- | | |
|---|---------------------|
| a. seguipersona Tango 2000 msr FF | peso netto kg. 36,0 |
| b. diaframma ad iride | |
| c. cambia-colori a 7 colori, da montare | peso netto kg. 2,0 |

alimentatore (ballast):

- | | |
|--|--------------------|
| b. unità ballast separata, 180V – 260V | peso netto kg. 7,5 |
|--|--------------------|

1. se avete acquistato il kit completo, cod. K11907190, fornito in flight-case:

- | | |
|--|---------------------|
| a. seguipersona Tango 2000 msr FF MK2 | peso netto kg. 22,3 |
| b. unità ballast separata, 180V – 260V | peso netto kg. 7,5 |
| c. diaframma ad iride | |
| d. cambia colori, già fissato sulla parte anteriore del seguipersona | peso netto kg. 1,4 |
| E. stativo HD per segui-persona | peso netto kg. 7,0 |
| F. lampada Philips MSR Gold 2000/2 FastFit - PGJX50, 7500K 750 ore | |

2. MONTAGGIO SU STATIVO

- Assicuratevi che lo stativo che state per utilizzare abbia una piastra di appoggio idonea al fissaggio della forcella del TANGO.
- LDR consiglia l'utilizzo dello stativo 20102311 progettato appositamente per la linea di segui persona Tango, e dotato di ampia piastra di appoggio con fori DIN e testa fluida
- Montate il seguipersona sullo stativo. Assicuratevi che questo o la struttura a cui state fissando il prodotto possa sostenerne il peso. Controllate il peso del prodotto sull'etichetta dello stesso o al paragrafo precedente

3. MONTAGGIO DEL CAMBIACOLORI (cod. 20105107)

Leggete questo paragrafo solo nel caso in cui abbiate acquistato solo il seguipersona. Nel caso in cui abbiate acquistato un kit, il cambiacolori viene fornito montato di serie.

Per effettuare questa operazione dovrete munirvi di un cacciavite a stella della lunghezza di almeno 16cm

- Montate le gelatine del colore desiderato sul cambiacolori. Si vedano le istruzioni allegate al cambiacolori.
- Svitare a mano, solo fino a circa metà corsa, le quattro viti inserite negli inserti in ottone presenti sulla testata anteriore del seguipersona.
- Posizionate il cambiacolori sulla parte frontale del seguipersona, assicurandovi che le leve siano sul lato sinistro del seguipersona stesso (guardandolo da davanti) ed appendetelo alle viti precedentemente posizionate.
- Rilasciate le leve del cambiacolori per avere accesso alle viti e stringetele con uno strumento adeguato.
- Assicuratevi che il cambiacolori sia ben fissato e le tre viti ben strette.
- Collegare il jack del cavo di alimentazione della ventola del cambia-colori all'apposita presa posizionata sul tappo del maniglione destro (visto da davanti) del seguipersona
- Assicuratevi che il cavo del cambia-colori sia sempre collegato e che la ventola funzioni correttamente.

4. MONTAGGIO DEL DIAFRAMMA AD IRIDE (IN DOTAZIONE)

Il diaframma fornito con il seguipersona utilizza 24 lamelle per dimensionare il fascio da un massimo di 8° ad un minimo di 4°.

- Con un cacciavite a stella estraete le due viti fissate sui lati della piastra del diaframma.
- Inserite il diaframma nell'apposito alloggiamento posizionato al centro del seguipersona.
- Fissate il diaframma in posizione utilizzando le viti che avete precedentemente rimosso.

ATTENZIONE:

Non tenete il diaframma in posizione di chiusura totale ad apparecchiatura accesa per oltre 5

minuti

Utilizzate il dimmer meccanico per chiudere il fascio di luce nel caso in cui doveste mantenere il seguipersona acceso in posizione di black-out.

IN CASO DI MANCATA OSSERVANZA DI QUANTO SOPRA SI POTREBBERO VERIFICARE SERI DANNI DA SURRISCALDAMENTO SIA AL DIAFRAMMA SIA AL SEGUIPERSONA, CON CONSEGUENTE ANNULLAMENTO DELLA GARANZIA SUL PRODOTTO.

a. REGOLAZIONE DELLA FORCELLA

Questo seguipersona è dotato di regolazione del punto di bilanciamento della forcella. Il punto di bilanciamento è regolato di fabbrica per l'utilizzo nell'assetto del seguipersona con cambia colori, ma, nel caso in cui doveste regolarlo in modo diverso, procedete come segue:

Per eseguire questa operazione è necessaria la presenza di due persone, una sul fronte ed una sul retro del seguipersona

- a. Fissate il seguipersona ad uno stativo
- b. Con un cacciavite a stella allentate le 3 viti M5 su entrambi i lati della forcella
- c. Con cautela spostate il seguipersona in avanti o all'indietro sino alla posizione desiderata
- d. Assicuratevi che la forcella sia correttamente allineata orizzontalmente
- e. Stringete e fissate le 4 viti M5

6. CABLAGGIO


Prima di collegare il seguipersona all'alimentazione elettrica, questo prodotto deve essere provvisto di una spina adeguata al carico della lampada da utilizzare.

Assicuratevi che la spina sia conforme alle norme di sicurezza elettrica in vigore nel paese in cui il prodotto viene utilizzato.

- Assicuratevi che la spina che state per montare sopporti il carico della lampada.
- Questa apparecchiatura deve essere collegata con messa a terra
- Per un corretto cablaggio, si faccia riferimento all'etichetta fissata all'estremità del cavo di alimentazione o a quanto qui di seguito indicato:

I trefoli del cavo di alimentazione utilizzano il seguente codice-colore
terra: giallo/verde - neutro: blu - fase: marrone

Nel caso in cui questi colori non corrispondano ai poli della vostra spina, procedete come segue:

- Il trefolo verde o giallo/verde deve essere collegato al polo contrassegnato dalla lettera E, o dal simbolo  o dal colore verde o verde/giallo
- Il trefolo blu deve essere collegato al polo contrassegnato dalla lettera N o dal colore nero

- Il trefolo marrone deve essere collegato al polo contrassegnato dalla lettera L o dal colore rosso
- Prima di posizionare definitivamente l'apparecchiatura, collegatela alla rete elettrica protetta da fusibili, per controllare che la lampada funzioni correttamente.
- Proteggete ogni apparecchiatura con un fusibile adatto alla potenza della lampada in uso. Se decidete di alimentare l'apparecchiatura da un'unità di potenza, assicuratevi che questa sia provvista di fusibili di protezione del carico

7. VOLTAGGIO

Prima di accendere questa apparecchiatura vi preghiamo di controllare i dati riportati sull'etichetta apposta sul lato del ballast per assicurarvi che stiate lavorando al corretto voltaggio. Questo modello di Tango può funzionare ad un **voltaggio compreso tra 180V e 260V** ed il ballast elettronico in dotazione è dotato di selettore automatico del voltaggio.

8. FREQUENZA

Su questo prodotto la frequenza viene automaticamente selezionata dal ballast elettronico in dotazione al prodotto (50/60Hz)

9. FUSIBILE

Il ballast (PSU) è dotato di un fusibile rapido da 20A 6.3x32 UR, montato sull'unità ballast esterna. Nel caso in cui si rendesse necessaria la sostituzione del fusibile, vi preghiamo di assicurarvi che il fusibile che state per montare sia idoneo e completamente compatibile con l'originale.

10. INSTALLAZIONE O SOSTITUZIONE DELLA LAMPADA

Prima di procedere all'installazione o sostituzione della lampada, assicuratevi che il prodotto sia scollegato dalla rete elettrica.

Il Tango 2000 MSR FF può utilizzare esclusivamente le seguenti lampade:

Philips 2000 MSR Gold Fast Fit PGJX50, 2000W 6000K 750 ore
Philips 2000 MSR Gold/2 Fast Fit PGJX50, 2000W 7500K 750 ore

- assicuratevi che il prodotto sia freddo e scollegato dall'alimentazione
- in caso di sostituzione utilizzate un'adeguata protezione termica per le mani (es. guanti) nel caso in cui la lampada fosse ancora calda
- proteggete la lampada da eventuali lesioni o graffi. Non installate o usate lampade incrinata o rotte. Nel caso in cui la lampada si incrina o si rompa, scollegate l'apparecchiatura

dall'alimentazione, fate raffreddare e sostituite la lampada

- non toccate la superficie in vetro della lampada a mani nude. Tracce di unto e grasso potrebbero depositarsi e causare una riduzione della durata della lampada
- non rimuovete l'involucro plastico di protezione fino a quando la lampada non è stata completamente installata
- Utilizzando un cacciavite a taglio aprite lo sportellino copri-lampada, posizionato sul lato sinistro del blocco posteriore del segui persona, facendo leva in senso anti-orario sulle due chiusure $\frac{1}{4}$ di giro.
- Rimuovete lo sportellino
- Facendo presa sulla base di ceramica della stessa e ruotandola fino allo sblocco, estraete la lampada (se state effettuando una sostituzione)
- Inserite la nuova lampada e ruotate la base fino a che questa si blocchi in posizione
- Richiudete con attenzione il blocco portalam-pada riposizionando il pannellino ed agendo in senso orario sulle due chiusure $\frac{1}{4}$ di giro

LDR declina qualsiasi responsabilità in caso di scarso rendimento del prodotto o di danni ai componenti interni causati dall'utilizzo di una lampada non compatibile

11. ACCENSIONE DEL SEGUIPERSONA

- Collegate il segui persona all'unità ballast esterna. Vi preghiamo di notare che ogni segui persona è stato testato di serie con il proprio ballast. Entrambe le apparecchiature sono riconoscibili dallo stesso numero di serie riportato sull'esterno dell'imballaggio, sull'etichetta del prodotto e sulla copertina del manuale di istruzioni. Assicuratevi che il segui persona ed il ballast che state per collegare riportino lo stesso numero di serie.
- Collegate l'unità ballast all'alimentazione.
- Ruotate verso destra (1/4 di giro) il selettore on/off dell'unità ballast. Si accendono le ventole
- Contemporaneamente SI ACCENDE UNA LUCE ROSSA all'interno del ballast, visibile dai tagli di areazione posti a lato dell'interruttore.
- Attendete qualche secondo (3/5, ma non oltre) finchè LA LUCE ROSSA DIVENTERA' VERDE
- Potete ora accendere il segui persona ruotando verso destra (1/4 di giro) il selettore on/off posto sulla testata posteriore dell'illuminare.

La lampada si accenderà solo dopo l'OK del ballast (luce verde)

Il ballast è dotato di un sensore che rileva la presenza della lampada. Se avete acceso l'interruttore della lampada troppo tardi, il ballast avrà tentato di accenderla senza trovarla. Dopo 10 tentativi consecutivi il ballast non effettuerà altri tentativi considerando che la lampada non è inserita. Spegnete il ballast e ripetete la procedura dall'inizio

ATTENZIONE:

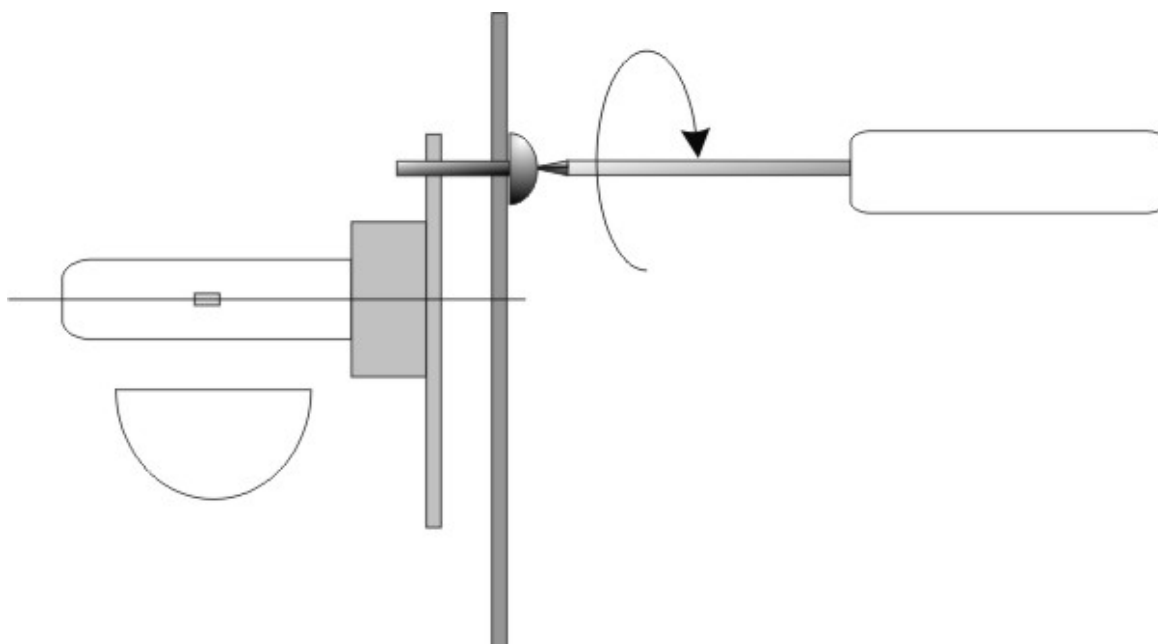
APRITE L'APPARECCHIATURA SOLO DOPO 10' DALLO SPEGNIMENTO DELLA LAMPADA

12. ALLINEAMENTO DELLA LAMPADA

Prima di mettere in funzione il seguipersona sarà necessario controllare il corretto allineamento della lampada, procedendo come segue:

- Accendete il seguipersona (vedi sezione precedente) e proiettate il fascio di luce su di una superficie piana (una parete, per esempio) da una distanza di 0,5m
- Portate la messa a fuoco completamente fuori fuoco in modo da poter vedere la sagoma della lampada sulla superficie di proiezione
- Chiudete il dimmer meccanico fino ad ottenere un fascio di diametro leggermente maggiore dell'altezza della lampada. Dovreste ottenere un cerchio di luce che include, centrata, la proiezione della lampada
- Se la proiezione della lampada non risulta esattamente centrata, procedete all'allineamento agendo sulla vite posizionata accanto al pannellino copri-lampada sul lato sinistro del blocco posteriore del seguipersona

ATTENZIONE: regolate molto lentamente la vite per evitare che il bulbo in vetro della lampada tocchi uno qualsiasi degli elementi del gruppo ottico, in quanto ciò potrebbe causare l'esplosione delle lenti e della lampada stessa.



Una volta allineata la lampada potete iniziare ad utilizzare il vostro seguipersona.

13. MESSA A FUOCO

Questo seguipersona è dotato di zoom variabile tra 4° e 8°. La regolazione dell'apertura del fascio si ottiene agendo sulla posizione della lente anteriore e posteriore. La posizione della lente

anteriore definisce l'apertura del fascio luminoso, mentre la posizione di quella posteriore definisce la morbidezza o definizione del fascio stesso.

14. DIMMER MECCANICO (BLACK-OUT)

Il seguipersona che avete acquistato viene fornito di serie completo di dimmer meccanico regolabile, che consente la diminuzione progressiva dell'intensità del fascio di luce fino alla posizione di buio completo (black-out). Il dimmer meccanico è posizionato tra la parte frontale dell'alloggiamento delle lenti zoom ed il cambia-colori.

Un'apposita serigrafia a ridosso della leva di comando del dimmer vi aiuterà a selezionare il corretto livello di dimmeraggio (0% / 100%) durante l'utilizzo del seguipersona

15. PULIZIA E MANUTENZIONE

Per assicurare il massimo della resa del prodotto che avete acquistato, è necessario provvedere con regolarità alle procedure di pulizia e manutenzione delle varie parti. Durante queste procedure assicuratevi che il seguipersona e l'unità ballast siano scollegate dalla rete elettrica o da fonti di alimentazione.

Manutenzione generale

- * pulite tutte le parti riflettenti quali specchio e lenti ogniqualvolta risultino sporche. Se necessario procedete all'apertura del prodotto.
- * controllate con regolarità lo stato della lampada e degli elementi dell'ottica (specchio e lenti) e sostituite gli elementi che dovessero risultare visibilmente danneggiati.
- * pulite con regolarità i condotti d'aria e le ventole al fine di consentire la regolare funzione di ventilazione forzata del prodotto.
- * controllate con regolarità lo stato dei collegamenti elettrici e dei cablaggi e sostituite qualsiasi cavo che dovesse risultare danneggiato dal calore o da agenti meccanici.

Pulizia dei componenti ottici

- Gruppo ottico posteriore:
 - a. Aprite il gruppo ottico posteriore rimuovendo le 4 viti M4 che fissano lo sportello superiore del gruppo.
 - b. Estraete il blocco ottico specchio/lente asferica agendo sulle due viti M5.
 - c. Pulite accuratamente con un panno morbido e riposizionate.
- Gruppo ottico anteriore:
 - a. Fate scorrere gli sportelli posizionati sulla parte inferiore del gruppo ottico anteriore, muovete i gruppi lenti in modo tale da potervi accedere e pulite con un panno morbido.

16. PARTI DI RICAMBIO

Tutti i componenti di questo prodotto sono disponibili come parti di ricambio singole o come assemblati. Raccomandiamo che, in caso di sostituzione o riparazione, vengano sempre utilizzate parti di ricambio originali LDR. Vi preghiamo di contattare il nostro servizio di assistenza tecnica ogniqualvolta si renda necessario l'acquisto o la fornitura in garanzia di un ricambio.

17. GARANZIA

La nostra garanzia copre tutti i difetti strutturali e di assemblaggio per un periodo di 12 mesi dalla data di acquisto del prodotto. In caso di reclami vi chiediamo gentilmente di utilizzare l'apposito modulo che troverete alla fine di questo manuale o di contattare il rivenditore che vi ha fornito il prodotto descrivendo il più accuratamente possibile il problema riscontrato. In qualsiasi modo vi preghiamo di fornire sempre il numero di serie del prodotto difettoso.

18. ACCESSORI DISPONIBILI

A30900320	Lampada MSR Gold 2000 FastFit - PGJX50, 7500K 750 ore
A30900321	Lampada MSR Gold 2000 FastFit - PGJX50, 6000K 750 ore
A20105107	Unità cambia colori a 7 colori
A20100710	Diaframma ad iride
A20102311	Stativo HD per seguipersona con testa fluida
A20107071	Kit per controllo manuale a distanza del dimmer
A20107190	Flight-case con ruote frenanti, impilabile
V90MLRT100FR	Ruota frenata per flight case, 1pz

Luci della Ribalta srl si riserva il diritto di apportare qualsivoglia modifica al presente documento senza preavviso.

ESPAÑOL

Gracias por haber elegido Luci della Ribalta srl.

Esperamos que nuestros productos y servicios satisfagan sus necesidades, de no ser así les agradeceríamos contacten directamente con nuestra empresa para ayudarnos a ofrecer a todos nuestros clientes una mayor y mejor calidad. El producto que Ud. ha comprado se ha realizado con el máximo cuidado y los mejores componentes. Si por cualquier razón ajena a nuestro control lo ha recibido en mal estado, rogamos contacte con el proveedor que lo ha suministrado. Si así sucediera, le adjuntamos al final de este manual un cuestionario, para que nos sea remitido debidamente cumplimentado adjuntando también la copia de la factura.

Antes de instalar y utilizar este aparato eléctrico le rogamos lea con atención este manual

Las instrucciones que les exponemos más abajo aseguran el uso del producto de forma correcta. La falta de aplicación de la normas de instalación, funcionamiento, mantenimiento y seguridad aquí indicadas y de las normas generales aplicables a este tipo de productos podría ser causa de un mal funcionamiento del aparato o de un rendimiento distinto de lo declarado por el fabricante. En ningún caso Luci della Ribalta srl será responsable de cualquier tipo de daños, directos ó indirectos, accidentales, específicos, y en consecuencia a cosas o personas, incluidos, entre otros, los daños resultantes de pérdidas de beneficio o interrupción de negocio, que resulten de un uso inadecuado del producto por falta de cumplimiento por parte del cliente, dependientes o terceros, de las normas de instalación, funcionamiento, mantenimiento, seguridad y normas generales aplicables a este tipo de producto e indicadas en el manual de funcionamiento.

Además de la normas aquí indicadas, el uso de este producto está regulado por las normas o leyes de seguridad y protección de la salud incluidas en las directivas específicas de la Union Europea sobre el uso de este tipo de aparatos.

IMPORTANTES NORMAS DE SEGURIDAD

- este aparato es un producto profesional, cuyo uso está limitado exclusivamente a personal cualificado.
- este aparato alcanza temperaturas muy elevadas. Eviten el contacto directo con cualquier parte metálica del mismo.
- CUIDADO: encendido de alta tensión.
- rayos UV: las lámparas utilizadas en focos de descarga emiten rayos UV. Protegan sus ojos y eviten exponerlos a la luz directa de la lámpara. Eviten además mirar directamente a la fuente de luz sin llevar puesta una adecuada protección, cual, por ejemplo, gafas de lentes oscuras
- este aparato está equipado con ventiladores. Asegúrense que los ventiladores y sus rejillas de protección no estén tapados en ningún momento y que el flujo del aire no esté bloqueado.
- asegúrense de que los ventiladores funcionen correctamente. De no ser así y en el caso de que se note un funcionamiento siquiera minimamente defectuoso, os rogamos apaguen enseguida el aparato y procedan a las operaciones de mantenimiento, reemplazando el ventilador, si necesario.
- este aparato está clasificado como IP20 lo que indica que solamente es adecuado para uso interior y en ambientes con niveles de humedad inferiores a 90%. Para más información sobre

temperatura de ambiente máxima de trabajo, distancia mínima de instalación cerca de objetos inflamables, y ángulo máximo de inclinación del aparato, consulten con los datos indicados sobre la etiqueta del mismo.

- no instalen este aparato sobre o cerca de superficies inflamables
- antes de instalar este aparato comprueben que la estructura a la cual se va a colocar aguante su peso
- replazen la lámpara, la parábola reflectora y las lentes si están rayadas, dañadas o deformadas por el calor. Asegurense que la lámpara esté fría antes de cambiarla. Para una correcta instalación de la lámpara les rogamos consulten con las instrucciones de la misma, incluídas dentro de la caja del fabricante de la misma y las de este manual.
- antes de reemplazar el fusible o cualquier otro componente asegurense que el aparato esté frío y desconectado de la alimentación
- el arreglo y/o la sustitución de cualquier componente de este aparato debe ser realizado exclusivamente por personal cualificado y cumpliendo con todas las normas de seguridad, protección de la persona y riesgos laborales vigentes en el país donde se está utilizando el aparato y únicamente con repuestos originales
- el arreglo y/o la sustitución de cualquier parte del cableado debe ser realizado exclusivamente por personal cualificado de acuerdo con los esquemas originales y utilizando componentes idénticos o compatibles con los originales.

1. INSPECCIÓN DEL EMBALAJE

Comprueben que el embalaje contenga los siguientes artículos:

1. Si Uds han adquirido un cañon Tango 2000 msr FF MK2, codigo A10907190

- | | |
|---|--------------|
| a. cañon Tango 2000 msr FF | peso 36 ,0kg |
| b. diafragma iris | |
| b. cambio de colores de 7 colores, sin montar | peso 2,0 kg |
| b. unidad electronica de alimentacion (balastro) | |
| d. unidad de alimentacion separada, 180V - 260V | peso kg. 7,5 |

2. Si Uds han adquirido un cañon Tango 2000 msr FF en modelo kit, codigo K10907190

- | | |
|--|--------------|
| a. cañon Tango 2000 msr FF MK2, | peso 36.0 kg |
| b. unidad electronica de alimentacion (balastro) separada | peso 7.5 kg |
| b. diafragma iris | |
| c. cambio de colores, de 7 colore, montado | peso 2,0 kg |
| d. pie HD para cañon con cabeza idaulica | peso 11,1 kg |
| e. làmpara Philips MSR Gold 2000/2 FastFit - PGJX50, 7500K 750 horas | |

En caso de falta de uno o mas artículos les rogamos contacten directamente con la compañía que les suministró el equipo.

2. INSTALACIÓN SOBRE TRIPODE

- Asegúrense que el pie que van a utilizar tenga una placa de sujeción adecuada a la lira del Tango y con agujero M12 DIN Estandar.
- LDR os recomienda utilicen el tripode HD código 20102311 diseñado específicamente para su uso con la gama de cañones Tango, que está equipado con una amplia base de apoyo y una cabeza hidráulica que garantiza un movimiento fluido y omogeneo
- Instalen ahora el cañón sobre el pie, tras haber comprobado que este, o la estructura a la cual se va a colocar, aguante su peso. (averiguen el peso en el párrafo de arriba o en la etiqueta del producto en la parte trasera del cañón)

3. INSTALACIÓN DEL CAMBIO DE COLORES cod. A20105107

Lean este párrafo únicamente en el caso hayan adquirido solo el cañón. En caso hayan Uds adquirido un modelo kit, el cañón llevará el cambio de colores puesto ya.

Para conseguir esta operación necesitarán de un destornillador de cabeza a cruz de 16cm de largo como mínimo

- Monten los filtros de colores en sus correspondientes alojamientos en el cambio de colores. Se vean las instrucciones correspondientes.
- Aflojen con las manos hasta la mitad de su largo los 4 tornillos de los alojamientos en latón que se hallan en placa delantera del cañón.
- Cuelgen el cambio de colores a los 4 tornillos, con las palancas a mano izquierda, mirando al cañón desde el frente.
- Desbloquen las palancas de los filtros de colores para tener acceso a los tornillos y aprieten los mismos con una herramienta adecuada.
- Averiguen que el cambio de colores esté bien fijo y que no se mueva al mover el cañón.
- Conecten el cable del ventilador del cambio de colores al enchufe que se halla en el tapon de la barra lateral derecha (mirando al cañón desde el frente) del cambio de colores
- Averiguen que el cambio de colores esté conectado al cañón en todo momento durante su uso y que el ventilador funcione correctamente

4. INSTALACIÓN DEL DIAFRAGMA IRIS, incluido en el suministro estándar

El diafragma iris incluido en el suministro estándar utiliza 24 cuchillas para recortar el haz desde un tamaño máximo de 8° hasta un mínimo de 4°. El iris viene sin instalar, en un sobre a parte en la caja del cañón. Es preciso que se utilice el cañón con su iris puesto.

- Con una herramienta adecuada quiten los tornillos insertados a los dos lados de la placa del iris.
- Inserten el iris en su alojamiento, que se halla en el bloque central del cañón.
- Posicionen correctamente el iris y lo bloqueen utilizando los tornillos recién quitados.

CUIDADO:

No dejen el diafragma iris en posición totalmente cerrada durante más de 5 minutos a cañon encendido. Utilicen siempre el dimer mecánico si necesitan poner el cañon en posición de black-out. El diafragma iris solo sirve para controlar el diámetro del haz.

LA FALTA DE CUMPLIR CON ESTA NORMA PUEDE CAUSAR GRAVES DAÑOS POR CALIENTAMIENTO EXCESIVO AL DIAFRÁGMA Y AL CAÑON MISMO, Y DETERMINA IPSO FACTO LA ANULACION DE LAS GARANTÍAS.

5. AJUSTE DE LA LIRA

El suministro estándar de este producto incluye una lira para el uso del cañon montado en un pie y con un punto de balance ajustado para su uso con cambio de colores puesto. Es de todo modo posible ajustar el balance si lo necesitan.

Para esta operación se precisa la presencia de dos personas, una sujetando la parte delantera y la otra la parte trasera del cañon

- Monten el cañon en un pie y añaden todos los accesorio que se utilizaràn (o quiten)
- Con una herramienta adecuada aflojen los 3 tornillos M5 que se hallan a cada lado de la lira. Pongan cuidado a que no salgan de su alojamiento
- Con mucho cuidado muevan el cañon hacia adelante o hacia atràs hasta alcanzar la posición deseada.
- Asegúrense que la lira estè correctamente alineada en el plano horizontal
- Aprieten y cierren los 6 tornillos

6. ENCHUFE

El suministro estándar de este producto no incluye el enchufe. Antes de elegir o montar un enchufe:

- Asegúrense que el enchufe que quieren montar aguante la potencia de la lámpara
- Este aparato tiene que ser conectado con toma de tierra
- Para una conexión correcta consulten con los datos imprimidos en la etiqueta al final de cable de alimentación o con la información abajo indicada

el cable de alimentación utiliza el siguiente código-color:

tierra: amarillo/verde - neutro: azul - fase: marrón

En el caso que estos colores no correspondan a las conexiones de su enchufe, consulten por favor con las siguientes indicaciones:

- conecten el conductor verde o amarillo/verde a la conexión marcada por la letra E o por el simbolo \perp o por el color verde o amarillo/verde
- conecten el conductor azul a la conexión marcada por la letra N o por el color negro

- conecten el conductor marrón a la conexión marcada por la letra L o por el color rojo
- antes de instalar definitivamente el aparato conectenlo a una red protegida por fusibles para averiguar que la lámpara funcione correctamente.
- Protegan cada aparato con un fusible adecuado a la potencia de la lámpara. Así mismo en el caso de alimentación del aparato por una unidad dimmer, asegúrense que este esté equipada con fusibles de protección adecuados.

7. VOLTAJE

Antes de conectar este aparato a la red eléctrica consulten por favor con las indicaciones de las etiquetas del producto que se hallan en las placas laterales del balastro.

El Tango 2000 msr FF MK2 **puede funcionar entre 180V y 260V** y el balastro electrónico lleva un sistema de ajuste automático.

8. FRECUENCIA

Este cañón está equipado con un balastro electrónico que elige automáticamente la frecuencia entre 50Hz y 60 Hz.

9. FUSIBLE

Este cañón está equipado con un fusible de protección de 20A 6.3x3.2 UR, que se halla al lado del enchufe del balastro. En el caso se necesite reemplazar el fusible, asegúrense de que el fusible que van a instalar sea adecuado y totalmente compatible con el original o pidan un fusible original de repuesto.

10. INSTALACIÓN O SUSTITUCIÓN DE LA LÁMPARA

El Tango 2000msr FF MK2 solo puede funcionar con una de las siguientes lámparas

Philips 2000 MSR Gold Fast Fit PGJX50, 2000W 6000K 750 horas
Philips 2000 MSR Gold/2 Fast Fit PGJX50, 2000W 7500K 750 horas

Si han Uds adquirido un Tango 2000msr FF en versión kit, la lámpara se halla en el flight case.

Para instalar o reemplazar una lámpara:

- asegúrense que el aparato esté frío y desconectado de la alimentación
- en caso de sustitución utilicen una adecuada protección térmica de las manos (p.e. guantes) por si acaso la lámpara estuviese todavía caliente
- protejan la lámpara de posibles daños o arañazos. No instalen o utilicen lámparas que

presenten desperfectos. En el caso de lámparas rotas o con desperfectos, apaguen el aparato, desconecten la alimentación y dejenlo enfriar antes de cambiar la lámpara

- no toquen la superficie del bulbo exterior de la lámpara con las manos. Rastros de grasa de la piel podrían depositarse sobre su superficie y causar una reducción de la vida de la lámpara misma
- no quiten el sobre de plástico que la protege hasta que la lámpara no esté completamente instalada
- utilizando una herramienta adecuada abran la placa de cierre de la lámpara que se halla sobre el lado izquierdo del bloque trasero del cañon (mirando desde atrás), moviendo en sentido antihorario las cabezas de los dos cierres
- quiten la placa
- en caso de sustitución: agarren la base cerámica de la lámpara (en ningún caso el bulbo en cristal) y, presionando un poco, giren hasta que la lámpara se desbloquee del casquillo. Saquen la lámpara
- inserten la nueva lámpara y giren la base en ceramica hasta que se hay bloqueado en su posición
- vuelvan a poner la placa en su posición y bloqueenla girando en el sentido de las agujas del reloj la cabeza de los dos cierres

11. ENCENDIDO DEL CAÑÓN

- Conecten el cañon a la unidad de alimentación (balastro) que os ha sido entregada. Os rogamos recuerden que cada cañon ha sido testado en la fabrica con su correspondiente unidad de alimentacion. Ambos equipos llevan un numero de serie idéntico, que se halla en las etiquetas de los equipos mismos, en la caja exterior de cada unidad y en la portada del manual de instrucciones. Asegurense que el cañon y el balastro que están Uds a punto de conectar lleven el mismo numero de serie.
- Conecten el balastro a la red de alimentación
- Activen el interruptor on/off del balastro (1/4 de vuelta hacia derecha). Los ventiladores se ponen en marcha
- Al mismo tiempo SE ENCIENDE UNA LUZ ROJA desde el balastro, visible entre los cortes de areacion a lado del interruptor
- Esperen hasta que LA LUZ SE PONGA EN VERDE
- Pueden ahora encender la lámpara del cañon mismo

La lámpara no se va a encender hasta que la luz del balastro no se haya puesto en verde

CUIDADO

No vuelvan a abrir el cañon antes de 10 minutos de haber apagado la lámpara

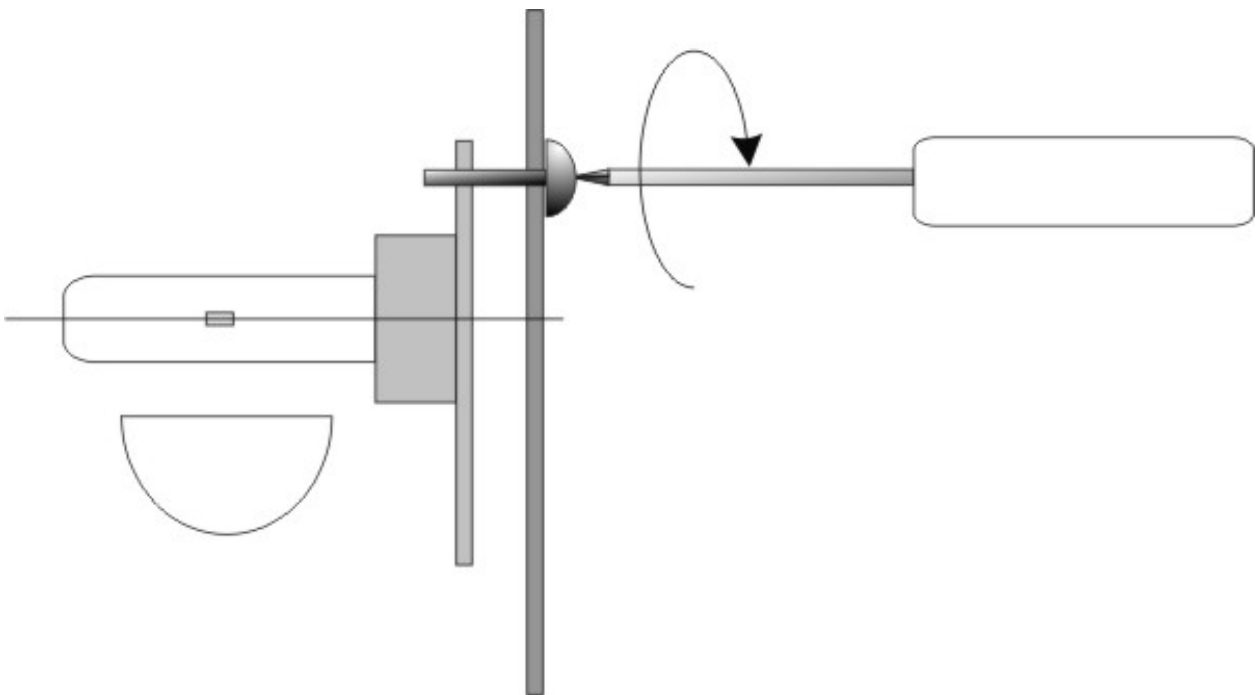
12. AJUSTE DE LA LÁMPARA

Antes de empezar a utilizar el cañon hay que averiguar el correcto ajuste de la lámpara. Os

rogamos efectuen esta operación cada vez que pongan en marcha un cañon nuevo y cada vez que se remplace la lámpara.

- Pongan en marcha el cañon (vèase párrafo anterior) y proyecten el haz sobre una superficie plana, una pared blanca por ejemplo, desde una distancia de 0,5m aproximadamente.
- Desenfocuen completamente el haz, hasta que los filamentos de la lámpara se vean proyectados en la pared o superficie que estàn utilizando.
- Cierren ahora el dimer mecanico, que se halla en la parte delantera del cañon, entre los dos grupos de lentes, hasta a un diametro un poco mayor de la altura de la lámpara. Tienen que alcanzar un circolo de luz que incluya, perfectamente centrada, la proyección de la lámpara.
- Si la proyección de la lámpara no se halla exactamente en el centro del circolo, ajustenla actuando con un destornillador manual sobre el tornillo que se halla al lado de la placa de cierre de la lámpara. Ver dibujo aquí abajo.

CUIDADO: ajusten por favor el tornillo muy despacio, para evitar que el bulbo en cristal de la lámpara choque con uno cualquiera de los componentes ópticos, porque este podría resultar en una explosion de las lentes o de la lámpara misma al momento del encendido



Una vez la lámpara estè ajustada, pueden Uds ahora empezar a utilizar el cañon.

13. ENFOQUE

Este cañon estè equipado con un sistema optico que permite obtener un haz ajustable entre 4° y 8°. Hay dos pomos que se hallan en la parte delantera derecha del cañon, que controlan las lentes.

- La lente delantera controla el diametro del haz
- La lente trasera controla el enfoque, y pueden Uds elegir entre un haz morbido o definido

Muevan contemporaneamente los dos pomos hasta alcanzar el tipo de poyeccion deseada.

14. DIMER MECANICO (Black-out)

Este cañon està equipado con un dimer mecanico ajustable, que permite reducir progresivamente la intensidad de la luz hasta alcanzar la posicion de black-out. El dimer mecanico se halla entre la cabeza del cañon y el cambio de colores lentes.

La indicacion del porcentaje de dimming (0% - 100%) imprimida al lado de la palanca de control del dimer os ayudará a elegir la posicion deseada.

15. LIMPIEZA Y MANTENIMIENTO

Para asegurar un funcionamiento correcto y una larga vida del aparato, les rogamos efectuen una limpieza y mantenimiento del mismo de forma periódica. El mantenimiento debe de hacerse cuando los aparatos estén apagados, fríos y desconectados de la red

Mantenimiento general

- limpien todas las partes reflectoras, espejos y lentes cada vez que estèn sucias o se haya depositado polvo en sus superficies. Abran el foco si es necesario.
- comprueben la lámpara, protecciones frontales, y lentes y sustituyan cualquier parte que pueda estar dañada.
- limpien los conductos de aire y ventiladores para asegurar una ventilación correcta del aparato y una correcta actividad de refrigeración
- comprueben el cableado exterior e interior y sustituyan los cables que se encuentren estropeados bien por calor o agentes mecánicos.

Limpieza de los sistemas ópticos

Limpieza del sistema trasero

- abran el bloque trasero para acceder a la óptica quitando los 4 tornillos M4 que bloquean la chapa de cierre superior
- saquen el bloque óptico completo actuando sobre los dos tornillos M5
- limpien com mucho cuidado utilizando un paño suave para evitar causar arañazos a los cristales
- vuelvan a poner cada componente en su alojamiento

Limpieza del sistema delantero

- deslizen las tapas que se hallan en el lado inferior del bloque optico delantero, muevan cada grupo óptico hasta una posicion que os permita limpiarlos adecuadamente con una paño suave

16. REPUESTOS

Cada componente de este aparato está disponible como repuesto. Les rogamos utilicen

unicamente repuestos originales. En el caso de que necesiten sustituir alguna pieza les rogamos contacten directamente con la compañía que le suministró el equipo o con nuestro servicio técnico.

17. GARANTIA

Nuestra garantía cubre cada desperfecto estructural y de montaje durante 12 meses a partir de la fecha de compra. En caso de disconformidad les rogamos contacten con la empresa que le suministró el producto

18. ACCESORIOS DISPONIBLES

A30900320	Làmpara MSR Gold 2000 FastFit - PGJX50, 7500K 750 horas
A30900321	Làmpara MSR Gold 2000 FastFit - PGJX50, 6000K 750 horas
A20105107	Unidad cambio de colores de 7 colores
A20100710	Diafragma irid
A20102311	Tripode HD para cañon, con cabeza idraulica
A20107071	Kit para el control a distancia del dimmer manual
A20107190	Flight-case ruedas frenadas, impilable
V90MLRT100FR	Rueda frenada para flight case, 1 pz

Luci della Ribalta Srl se reserva el derecho de modificar este documento sin previo aviso.



certificato di conformità
certificate of conformity
Konformitätserklärung
certificat de conformité
certificado de conformidad

- I** Noi sottoscritti dichiariamo, sotto la nostra completa responsabilità, che i prodotti:
GB We hereby declare under our own responsibility, that the products listed here below:
D Wir beglaubigen, daß die nachfolgend genannten Produkte:
F Nous certifions sous notre responsabilité, que les produits mentionnés ci-dessous:
E Los que subscriben, declaran, bajo su responsabilidad, que los productos aquí listados:

10907190 Tango 2000msr FF 180/260V

K10907190 Tango 2000msr FF kit
180/260V

- I** sono conformi alle seguenti norme ed ai requisiti delle seguenti direttive CEE:
GB conform to the following standards and to the requirements of following EEC directives:
D den nachfolgend aufgeführten Normen und EEC-Vorschriften entsprechen:
F sont conformes aux normes et prescriptions CEE ci-après:
E cumplen de hecho con las siguientes normas y directivas CEE:

EN 61000-3-2, EN61000-3-3, EN 55024, EN 55022

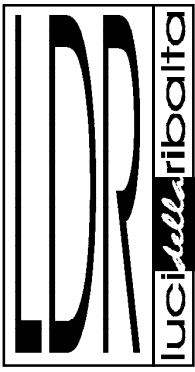
EN 60-598-2-17 1989 including amendments 1/2

EN 60-598-1 1992 including amendment 1

CE marking directive 93/68 EEC

Low voltage directive 73/23/EEC as amended by directive 93/98/EEC

EMC directive 89/336/EEC as amended by directive 91/263/EEC and 92/31/EEC



modulo di reclamo - complaint form
Reklamationsformular - formulaire de réclamation -
hoja de reclamaciones

email: info@ldr.it

Azienda ed Indirizzo - Company's name and address - Firmenname und Adresse - Nom et adresse -
Nombre y dirección

Nome del rivenditore da cui il prodotto è stato acquistato - Name of the dealer where you have purchased
the product - Namen der Firma, die Ihnen das Produkt verkauft hat - Nom de la société qui vous a vendu ce
produit - Nombre de la compañía donde han comprado el producto:

- | | | | |
|---------------------|--------------------------|-----------|---------------------------|
| Prodotto difettoso | <input type="checkbox"/> | 10907190 | Tango 2000msr FF 180/260V |
| Faulty product | <input type="checkbox"/> | | |
| Defekte s Produkt | <input type="checkbox"/> | K10907190 | Tango 2000msr FF kit |
| Produit défectueux | <input type="checkbox"/> | | 180/260V |
| Producto defectuoso | <input type="checkbox"/> | | |
| | <input type="checkbox"/> | | |

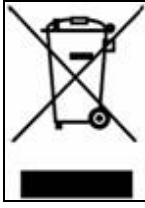
Descrizione del problema /Problem found/Beschreibung des Defekts/Description du défaut/Descripción del problema

Data d'acquisto - Date of purchase - Kaufdatum - Date de l'achat - Fecha de compra _____

Si prega di allegare prova d'acquisto - Please attach copy of purchase invoice - Bitte Kaufnachweis beilegen -
Veuillez joindre une quittance d'achat - Les rogamos incluyan l copia de la factura de compra.

Nome e qualifica - Name and position - Name und Funktion - Nom et fonction - Nombre y cargo

Data - Date - Datum - Date - Fecha _____



IT

Direttiva 2002/96/CE (Rifiuti di Apparecchiature Elettriche ed Elettroniche - RAEE):
informazioni agli utenti: ai sensi dell'art. 13 del Decreto Legislativo 25 luglio 2005, n. 151 "Attuazione delle Direttive 2002/95/CE, 2002/96/CE e 2003/108/CE, relative alla riduzione dell'uso di sostanze pericolose nelle apparecchiature elettriche ed elettroniche, nonché allo smaltimento dei rifiuti" questo prodotto è conforme.

Il simbolo del cassonetto barrato riportato sull'apparecchiatura o sulla sua confezione indica che il prodotto alla fine della propria vita utile deve essere raccolto separatamente dagli altri rifiuti. L'utente dovrà, pertanto, conferire l'Apparecchiatura giunta a fine vita agli idonei centri di raccolta differenziata dei Rifiuti Elettronici ed Elettrotecnici, oppure riconsegnarla al rivenditore al momento dell'acquisto di una nuova apparecchiatura di tipo equivalente, in ragione di uno a uno. L'adeguata raccolta differenziata per l'avvio successivo dell'apparecchiatura dismessa al riciclaggio, al trattamento ed allo smaltimento ambientalmente compatibile contribuisce ad evitare possibili effetti negativi sull'ambiente e sulla salute e favorisce il reimpiego e/o riciclo dei materiali di cui è composta l'apparecchiatura. Lo smaltimento abusivo del prodotto da parte dell'utente comporta l'applicazione delle sanzioni amministrative previste dalla normativa vigente.

ES

Directiva 2002/96/EC (Residuos de aparatos eléctricos y electrónicos - RAEE):
Información para el usuario.

Este producto es conforme con la Directiva EU 2002/96/CE. El símbolo de la papelera barrada situado sobre el aparato indica que este producto, al final de su vida útil, debe ser tratado separadamente de los residuos domésticos. El usuario es responsable de la entrega del aparato al final de su vida útil a los centros de recogida autorizados. El adecuado proceso de recogida diferenciada permite dirigir el aparato desechado al reciclaje, a su tratamiento y a su desmantelamiento de una forma compatible con el medio ambiente, contribuyendo a evitar los posibles efectos negativos sobre el ambiente y la salud, favoreciendo el reciclaje de los materiales de los que está compuesto el producto. Para información más detallada inherente a los sistemas de recogida disponibles, dirigirse al servicio local de recogida o al establecimiento donde se adquirió el producto.

FR

Directive 2002/96/CE (Déchets d'équipements électriques et électroniques - DEEE):
informations aux utilisateurs.

Ce produit est conforme à la Directive ED 2002/96/CE. Le symbole de la corbeille barrée reporté sur l'appareil indique que ce dernier doit être éliminé à part lorsqu'il n'est plus utilisable et non pas avec les ordures ménagères. L'utilisateur a la responsabilité de porter l'appareil hors d'usage à un centre de ramassage spécialisé. Le tri approprié des déchets permet d'acheminer l'appareil vers le recyclage, le traitement et l'élimination de façon écologiquement compatible. Il contribue à éviter les effets négatifs possibles sur l'environnement et sur la santé, tout en favorisant le recyclage des matériaux dont est constitué le produit. Pour avoir des informations plus détaillées sur les systèmes de ramassage disponibles, s'adresser au service local d'élimination des déchets ou au revendeur.

DE

Richtlinie 2002/96/EU (Elektro- und Elektronik-Altgeräte - WEEE):
Benutzerinformationen.

Dieses Produkt entspricht der EU Richtlinie 2002/96/EU. Das Symbol des auf dem Gerät dargestellten, durchgestrichenen Korbes gibt an, dass das Produkt am Ende seiner Nutzungsdauer gesondert vom Hausmüll zu behandeln ist. Am Ende der Nutzungsdauer ist der Benutzer für die Überantwortung des Geräts an geeignete Sammelstellen verantwortlich. Die angemessene, getrennte Müllsammmlung zwecks umweltkompatibler Behandlung und Entsorgung für den anschließenden Recycling beginn des nicht mehr verwendeten Geräts trägt zur Vermeidung möglicher schädlicher Wirkungen auf Umwelt und Gesundheit bei und begünstigt das Recycling der Materialien, aus denen das Produkt zusammengesetzt ist. Für nähere Informationen bezüglich der zur Verfügung stehenden Sammelsysteme, wenden Sie sich bitte an den örtlichen Müllentsorgungsdienst oder an das Geschäft, in dem der Kauf getätigt worden ist.

UK

Directive 2002/96/EC (Waste Electrical and Electronic Equipment - WEEE):
information for users.

This product complies with EU Directive 2002/96/EC. The crossed-out wastebasket symbol on the appliance means that at the end of its useful lifespan, the product must be disposed of separately from ordinary household wastes. The user is responsible for delivering the appliance to an appropriate collection facility at the end of its useful lifespan. Appropriate separate collection to permit recycling, treatment and environmentally compatible disposal helps prevent negative impact on the environment and human health and promotes recycling of the materials making up the product. For more information on available collection facilities, contact your local waste collection service or the shop where you bought this appliance.

NL

Richtlijn 2002/96/EG (Afgedankte Elektrische en Elektronische Apparaten - AEEA):
informatie voor de gebruikers.

Dit product voldoet aan de richtlijn EU 2002/96/EG. Het symbool van de vuilnisbak met een streep erdoor, dat op het apparaat staat, geeft aan dat het product, wanneer het wordt afgedankt, niet met het huisvuil kan worden meegegeven. Het is de verantwoordelijkheid van de gebruiker het product, op het moment dat dit wordt afgedankt, in te leveren bij een centrum voor gescheiden afvalverwerking. Een correcte gescheiden afvalverwerking, die gericht is op de recycling van het afgedankte product en die een milieuvriendelijke behandeling en vernietiging mogelijk maakt, draagt ertoe bij mogelijk negatieve effecten op het milieu en op de gezondheid te voorkomen en bevordert het hergebruik van de materialen waaruit het product bestaat. Voor meer gedetailleerde informatie met betrekking tot de voorhanden zijnde afvalverwerkingsystemen dient u zich te wenden tot de plaatselijke vuilnisdienst of tot de winkelier waar u het product heeft gekocht.

PT

Directiva 2002/96/CE (Resíduos de equipamentos eléctricos e electrónicos REEE):
informações para os utilizadores.

Este produto é conforme à Directiva EU 2002/96/CE. O símbolo do cesto barrado marcado no aparelho indica que o produto, no fim da própria vida útil, deve ser tratado separadamente do lixo doméstico. O utilizador é responsável pela entrega do aparelho, no fim da vida do mesmo, às apropriadas estruturas de recolha. A adequada recolha diferenciada para o encaminhamento sucessivo do aparelho à reciclagem, ao tratamento e ao escoamento ambientalmente compatível, contribui para evitar possíveis efeitos negativos sobre o ambiente e a saúde e favorece a reciclagem dos materiais que compõem o produto. Para informações mais detalhadas inerentes aos sistemas de recolha disponíveis, dirija-se ao serviço

local de escoamento de resíduos, ou a loja na qual efectuou a compra.

NO

WEEE-symbolet (Waste Electrical and Electronic Equipment).

Bruken av WEEE-symbolet indikerer at dette produktet ikke kan behandles som husholdningsavfall. Du vil bidra til å beskytte miljøet ved å sørge for at dette produktet blir avhendet på en forsvarlig måte. Ta kontakt med kommunale myndigheter, renovasjonsselskapet der du bor eller forretningen hvor du kjøpte produktet for å få mer informasjon om resirkulering av dette produktet.

S

Symbol för avfall från elektrisk och elektronisk utrustning (WEEE).

Märkning med WEEE-symbolen visar att produkten inte får behandlas som hushållsavfall. Genom att slänga den här produkten på rätt sätt bidrar du till att skydda miljön. Mer information om återvinning av produkten kan du få av de lokala myndigheterna, din renhållningsservice eller i affären där du köpte produkten.

FI

WEEE-merkintä (sähkö- ja elektroniikkalaiteromu).

WEEE-merkintä osoittaa, että tätä tuotetta ei voi käsitellä kotitalousjätteen tavoin. Kun huolehdit tämän tuotteen asianmukaisesta hävittämisestä, autat suojelemaan ympäristöä. Lisätietoja tämän tuotteen kierrättämisestä saat paikallisviranomaisilta, jätehuoltoyhtiöltäsi tai myymälästä josta ostit tämän tuotteen.

DK

Symbol for affald af elektrisk og elektronisk udstyr (WEEE)

Brugen af WEEE-symbolet betyder, at dette produkt ikke må behandles som husholdningsaffald. Ved at sørge for korrekt bortskaffelse af produktet medvirker du til at beskytte miljøet. Du kan få flere oplysninger om genbrug af dette produkt hos de lokale myndigheder, dit renovationselskab eller i forretningen, hvor du har købt produktet.

HU

Hulladék elektromos vagy elektronikus készüléket jelölő szimbólum.

Ez a szimbólum azt jelöli, hogy a terméket nem szabad háztartási hulladékként kezelni. A hulladékká vált termék megfelelő elhelyezésével hozzájárul a környezet védelméhez. A termék újrafelhasználásával kapcsolatban a helyi szerveknél háztartási hulladékokat elszállító vállalatnál vagy a terméket értékesítő üzletben tájékozódhat.

CZ

Symbol pro odpadní elektrický a elektronický materiál (WEEE).

Použití symbolu WEEE označuje, že tento produkt ne lze likvidovat jako domovní odpad. Správnou likvidací tohoto produktu přispějete k ochraně životního prostředí. Podrobnější informace o likvidaci tohoto produktu vám poskytne místní úřady, společnost pro likvidaci komunálního odpadu nebo obchod, kde jste zboží zakoupili.

