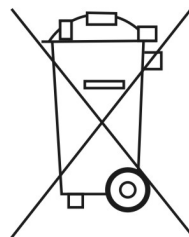


istruzioni per l'uso
operating instructions
Bedienungsanleitung
instrucciones de manejo
mode d'emploi
gebruiksaanwijzing

20108091 Motorized Control of Dowser for Tango Followspots



ENGLISH

Thanks for having chosen Luci della Ribalta srl. We hope our products and services meet your requirements, but should this not be the case, we kindly ask you to contact us directly to help us supply you and all our customers with better and better quality. The product you purchased has been manufactured with maximum care and selected components, but should you, for reasons beyond our control, have received it damaged, we kindly ask you to contact the dealer who supplied the product to you. To help you in this casualty, a form is supplied at the end of this manual.

Carefully read user's instructions before using this unit

The instructions given here below ensure a safe and correct usage of this product. User's failure to comply with the installation, operating, maintenance and safety procedures mentioned in this manual, as well as those generally applicable to this product, may cause the product not to perform as expected.

Luci della Ribalta accepts no liability for direct, indirect, incidental, special, or consequential damages resulting from the customer's failure to follow the installation, operating, maintenance and safety procedures in this manual or those generally applicable to lighting stands and supports. The limitation extends to damages for personal injury, property damage, loss of operations, loss of profits, loss of product or loss of time, whether incurred by the customer, the customer's employees or a third part.

Apart from the instructions given on this manual, all relevant safety and health standards of the appropriate EU Directives must be complied with

IMPORTANT SAFETY NORMS

- this product is suitable for use at ambient temperatures between -30°C and +60°C (-22°F and +140°F)
- this product is rated IP20, i.e. not suitable for use outdoors
- avoid long exposure to sunrays and high temperatures
- do not leave the product unattended when working in public environments and where third parties could be injured
- keep out of the reach of children
- fixing and replacement of any component of this product must be carried out exclusively by professional personnel in conformity with the relevant safety and health standards and only with original Luci della Ribalta srl components.
- installation of this product must be exclusively carried out by professional personnel in compliance with the safety norms in force in the country where the product is used.

1. PRODUCT DESCRIPTION

The product you have purchased is a motorized remote control for the dower of the LDR TANGO range of followspots. This device is meant to assist operators in easily controlling the dower when reaching for its command is made impossible by external reasons and/or to allow a very user-friendly operation of our followspots in any type of installation.

Mounted on the front of the lens-tube, where the dower is located, this device will allow you to remotely control the dower either by DMX or by manual clamp-on slider control, which can be positioned anywhere on either side-control bars of the followspot, to suit every operator's needs.

The unit is supplied complete with clamp-on control slider and 2.1m mains cable fitted with PowerCon OUT connector. Mains cables in any desired length can be obtained on demand.

This device has been designed as a specific accessory to LDR TANGO range of followspots and will therefore only work with LDR TANGOs.





2. PRODUCT SPECIFICATIONS

Supply volts:	180/260V
Frequency:	50/60Hz
Power Consumption:	15W max
Connector:	Neutrik PowerCon IN
Net Weight	2kg

3. PACKING CONTENTS

The remote control is supplied as a kit. Please make sure the packing you have received includes the following:

- Motorized Control of Dowser
- Clamp-on slider control with cable
- 2.1m mains cable with PowerCon Out connector fitted

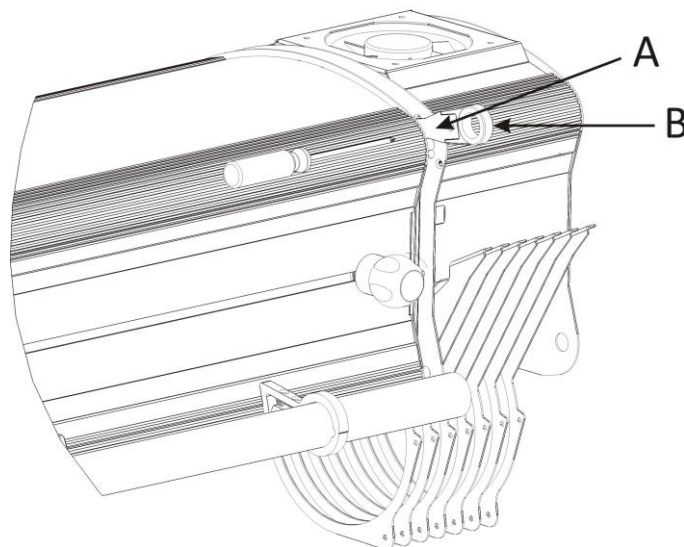
4. NEEDED TOOLS

In order to install this device you will need:

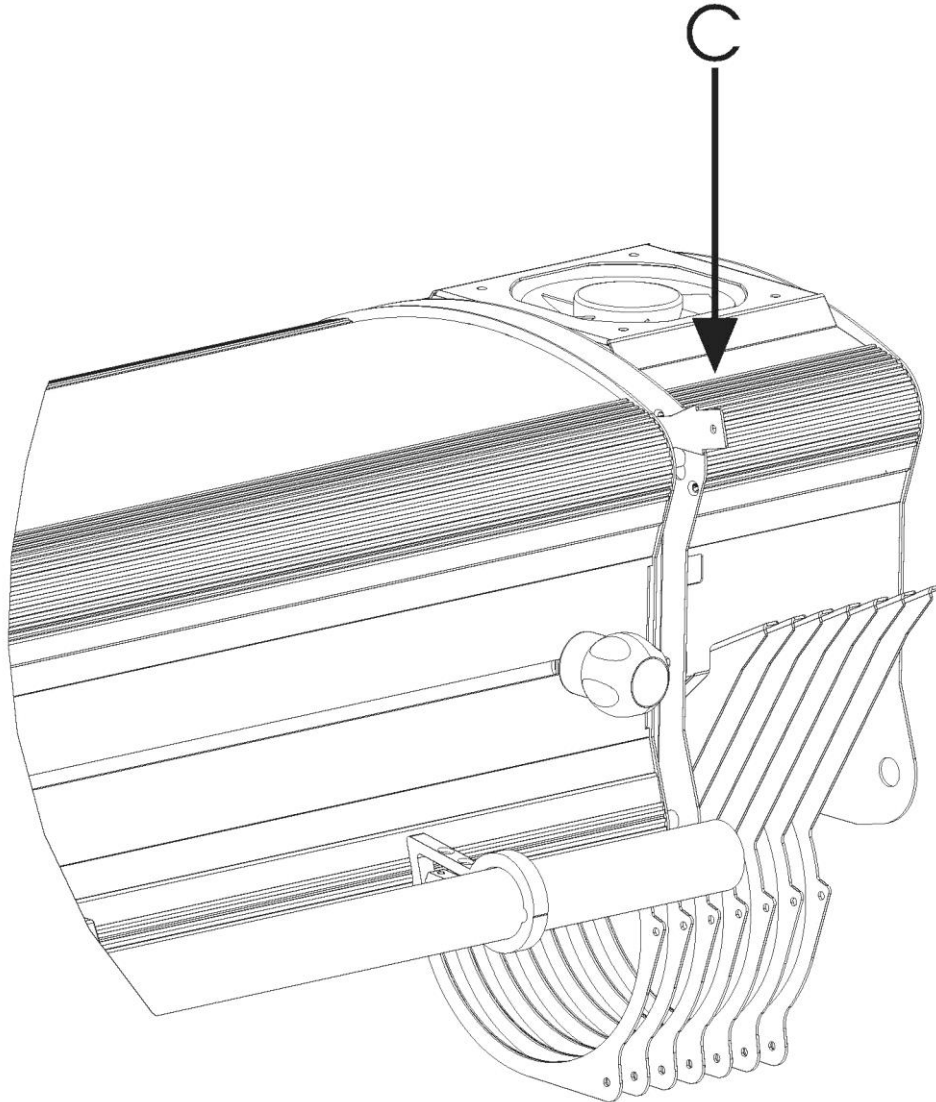
- Drill with M4 head
- Phillips screw-driver for M4 and M5 heads

5. INSTALLATION

- Remove the handle (B) from the control bar of the dowser by slackening the provided screw (A), as indicated here below:

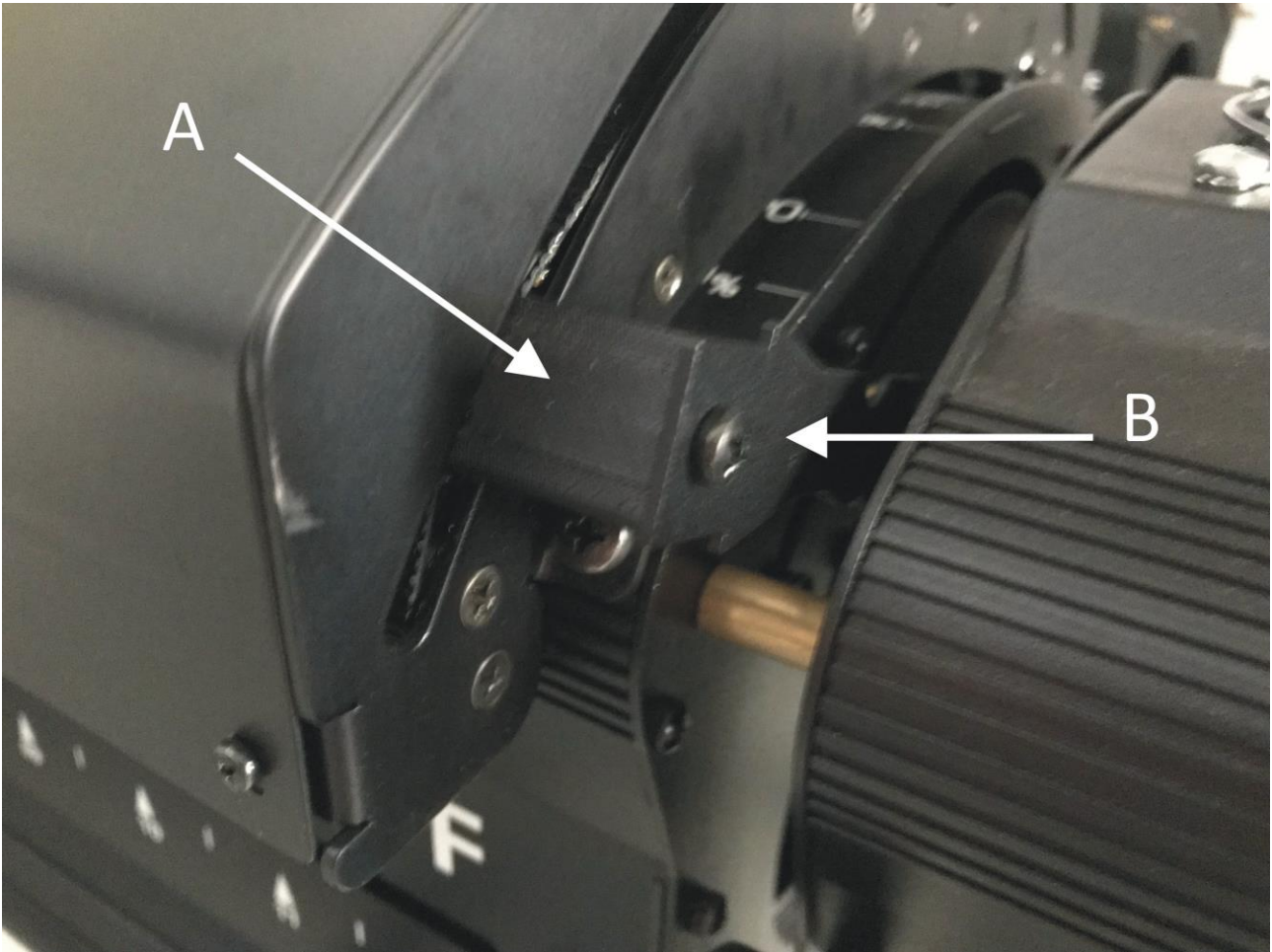


- With the help of a drill fitted with a M4 tool, drill the hole on the top of the dowser's control bar (C) to make it M4.



- Remove the 4x M5 screws from the side profile of the Tango's lens-tube
- Position the unit on the top of the lens-tube of the Tango matching the holes and making sure the control panel of the unit looks backwards (see picture on page 3)
- Screw the assembly to the body of the Tango using the M5 screws you have just removed

- Remove the M4 screw + washer from the lever-actuator (A), bring the lever of the dowser (B) in line with the lever-actuator on the motorized control and screw them together. (See picture here below)



6. OPERATION

This device can be operated manually or by DMX (1 channel) and allows the dowser to be controlled at 3 pre-set speeds both automatically (move the slider 0 to 100 and the dowser will move according to the preset speed automatically) and by the movement of the slider (control the slider with your thumb and the dowser will move accordingly, but also accordingly to the selected pre-set speed).

Manual

- Plug the motorized dowser control in by using the supplied mains cable and connect it to the mains
- Plug the clamp-on manual control to the device (see picture on page 3) if you are planning to control the dowser from the followspot

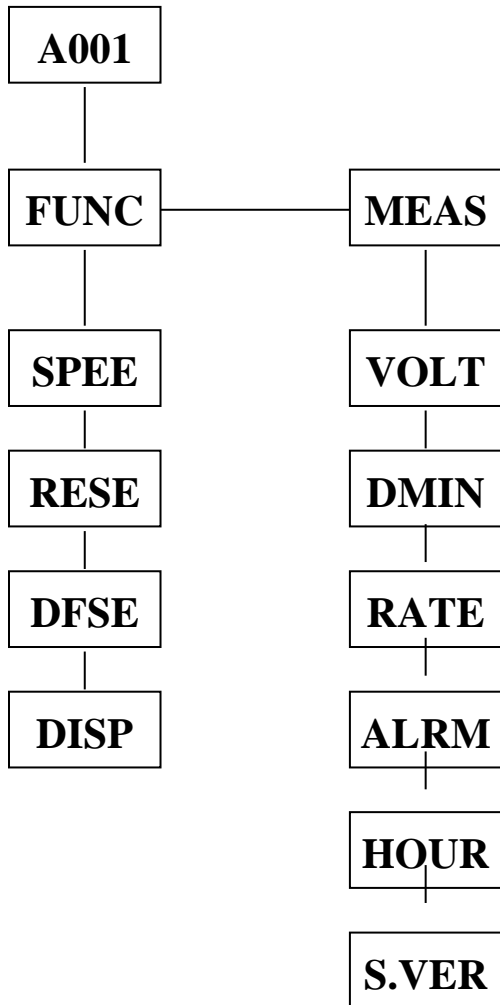
DMX

- Plug the DMX cable to the device if you are planning to remotely control the dowser by DMX. Please note that only speed can be controlled by DMX: all other functions are set from the control panel.

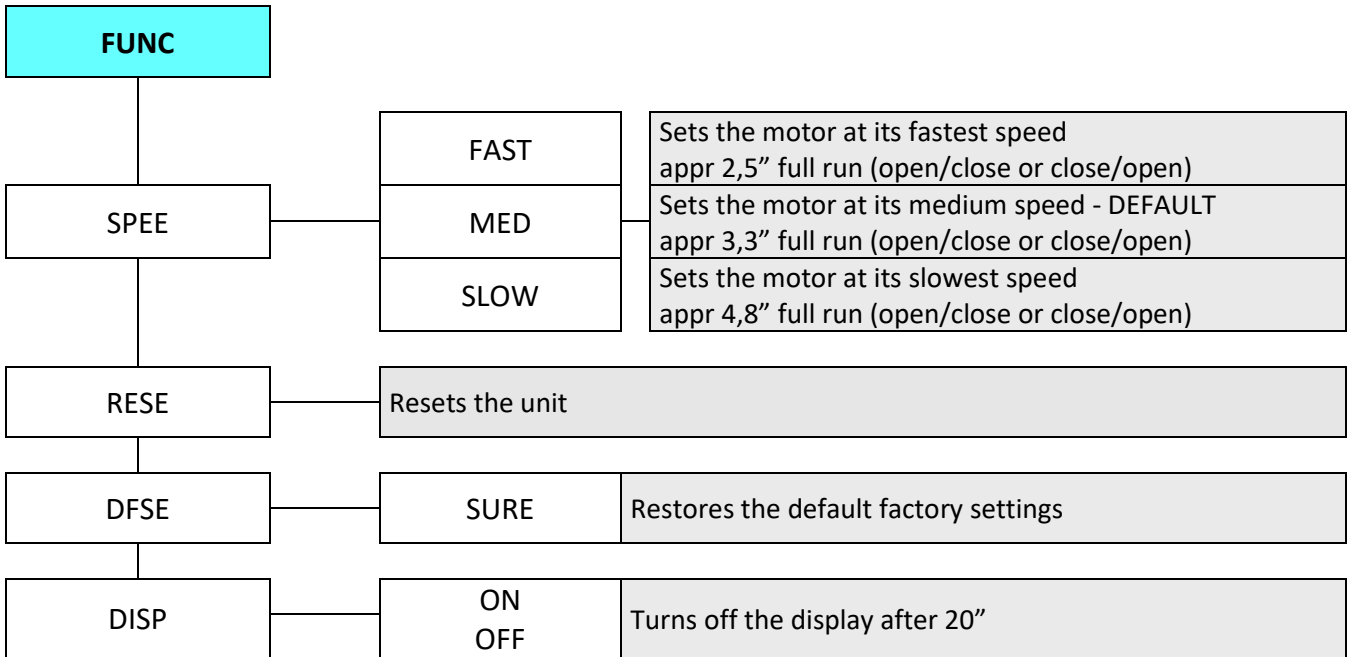
6.1 DISPLAY PANEL – FUNCTIONS

MENU OVERVIEW

In order to access the available functions, just press MENU and then press the + or – to scroll through pages. To select the desired function, press ENTER.

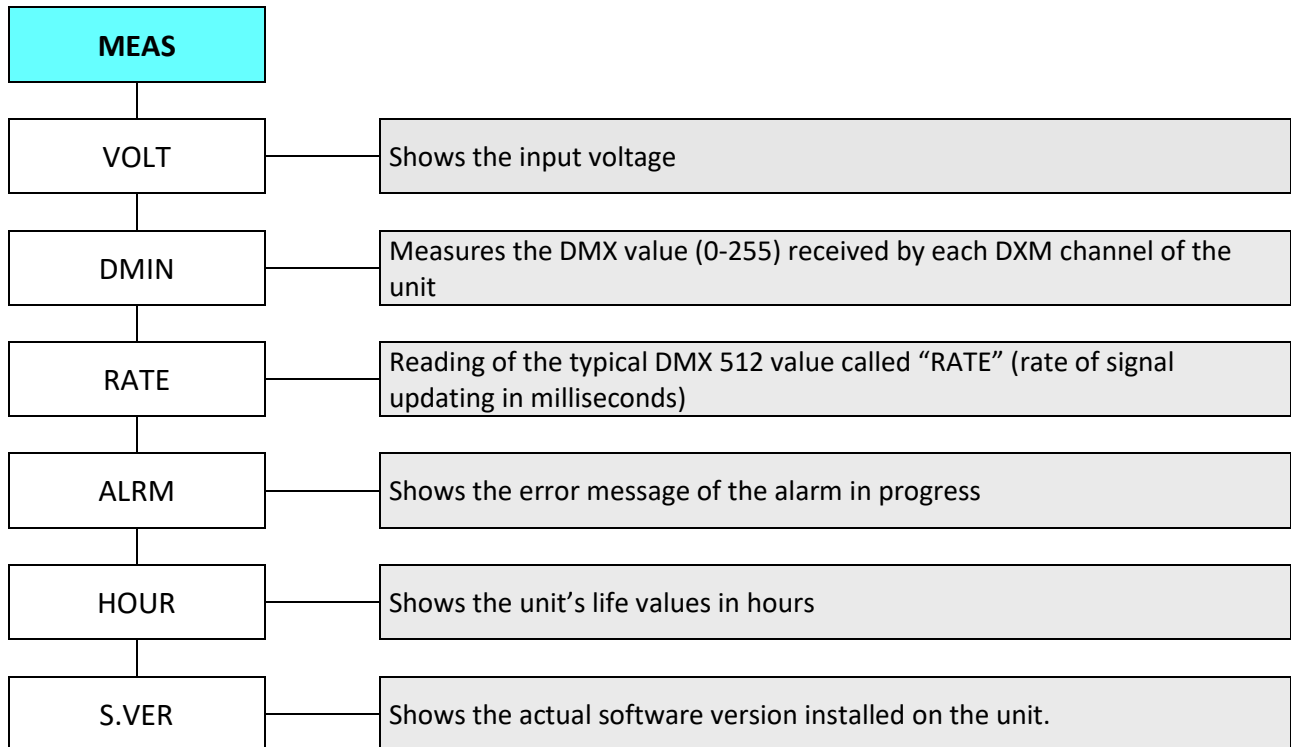


Main functions menu (FUNC)



Measures and tests (MEAS)

The internal microprocessor allows for several diagnostics and output parameters to be displayed.



7. DMX CHART

DMX Channels	Function	Type of Control	Effect	Decimal	Percentage
1	Master dimmer	Proportional	Adjust the position of dimmer	0 - 255	0% - 100%
Fixture: EL0419706			Table name: DMX 512 function		

8. CLEANING AND MAINTENANCE

- clean with mild detergent and a soft cloth
- remove dust and sand from all locking threads and sliding segments
- this product does not require regular lubrication, but in case it's needed, use standard lubricant oils or grease

9. SPARE PARTS

All components are available as spare parts. We strongly recommend you always use original LDR components as spare parts. Please refer to our technical assistance should you need to order and/or replace any part of the unit.

10. WARRANTY

Our warranty covers all structural and manufacture defects from one year from the date you purchased this product. In case of complaints we strongly recommend you use the complaint form at the end of this manual or contact the local dealer who supplied the product to you.

Luci della Ribalta srl reserves the right to modify the present document without prior notice.



certificato di conformità
certificate of conformity
Konformitätserklärung
certificat de conformité
certificado de conformidad

- I** Noi sottoscritti dichiariamo, sotto la nostra completa responsabilità, che i prodotti:
GB We hereby declare under our own responsibility, that the products listed here below:
D Wir beglaubigen, daß die nachfolgend genannten Produkte:
F Nous certifions sous notre responsabilité, que les produits mentionnés ci-dessous:
E Los que subscriben, declaran, bajo su responsabilidad, que los productos aquí listados:

20108091 Motorized Control of Dowser for Tango Followspots

- I** sono conformi alle seguenti norme ed ai requisiti delle seguenti direttive CEE:
GB conform to the following standards and to the requirements of following EEC directives:
D den nachfolgend aufgeführten Normen und EEC-Vorschriften entsprechen:
F sont conformes aux normes et prescriptions CEE ci-après:
E cumplen de hecho con las siguientes normas y directivas CEE:

EN 61000-3-2, EN61000-3-3, EN 55024, EN 55022

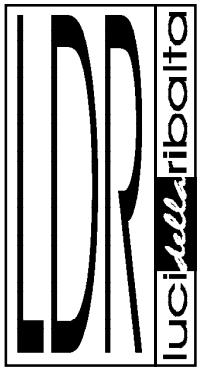
EN 60-598-2-17 1989 including amendments 1/2

EN 60-598-1 1992 including amendment 1

CE marking directive 93/68 EEC

Low voltage directive 73/23/EEC as amended by directive 93/98/EEC

EMC directive 89/336/EEC as amended by directive 91/263/EEC and 92/31/EEC



modulo di reclamo - complaint form
Reklamationsformular - formulaire de réclamation -
hoja de reclamaciones

email: info@ldr.it

Azienda ed Indirizzo - Company's name and address - Firmenname und Adresse - Nom et adresse -
Nombre y dirección

Nome del rivenditore da cui il prodotto è stato acquistato - Name of the dealer where you have purchased
the product - Namen der Firma, die Ihnen das Produkt verkauft hat - Nom de la société qui vous a vendu ce
produit - Nombre de la compañía donde han comprado el producto:

Prodotto difettoso	<input type="checkbox"/>	20108091	Motorized Control of Dowser
Faulty product	<input type="checkbox"/>		for Tango Followspots
Defekte s Produkt	<input type="checkbox"/>		
Produit défectueux	<input type="checkbox"/>		
Producto defectuoso	<input type="checkbox"/>		
	<input type="checkbox"/>		

Descrizione del problema /Problem found/Beschreibung des Defekts/Description du défaut/Descripción del problema

Data d'acquisto - Date of purchase - Kaufdatum - Date de l'achat - Fecha de compra _____

Si prega di allegare prova d'acquisto - Please attach copy of purchase invoice - Bitte Kaufnachweis beilegen -
Veuillez joindre une quittance d'achat - Les rogamos incluyan l'copia de la factura de compra.

Nome e qualifica - Name and position - Name und Funktion - Nom et fonction - Nombre y cargo

Data - Date - Datum - Date - Fecha _____



IT

Direttiva 2002/96/CE (Rifiuti di Apparecchiature Elettriche ed Elettroniche - RAEE):
informazioni agli utenti: ai sensi dell'art. 13 del Decreto Legislativo 25 luglio 2005, n. 151 "Attuazione delle Direttive 2002/95/CE, 2002/96/CE e 2003/108/CE, relative alla riduzione dell'uso di sostanze pericolose nelle apparecchiature elettriche ed elettroniche, nonché allo smaltimento dei rifiuti" questo prodotto è conforme.

Il simbolo del cassonetto barrato riportato sull'apparecchiatura o sulla sua confezione indica che il prodotto alla fine della propria vita utile deve essere raccolto separatamente dagli altri rifiuti. L'utente dovrà, pertanto, conferire l'Apparecchiatura giunta a fine vita agli idonei centri di raccolta differenziata dei Rifiuti Elettronici ed Elettrotecnici, oppure riconsegnarla al rivenditore al momento dell'acquisto di una nuova apparecchiatura di tipo equivalente, in ragione di uno a uno. L'adeguata raccolta differenziata per l'avvio successivo dell'apparecchiatura dismessa al riciclaggio, al trattamento ed allo smaltimento ambientalmente compatibile contribuisce ad evitare possibili effetti negativi sull'ambiente e sulla salute e favorisce il reimpiego e/o riciclo dei materiali di cui è composta l'apparecchiatura. Lo smaltimento abusivo del prodotto da parte dell'utente comporta l'applicazione delle sanzioni amministrative previste dalla normativa vigente.

ES

Directiva 2002/96/EC (Residuos de aparatos eléctricos y electrónicos - RAEE):
Información para el usuario.

Este producto es conforme con la Directiva EU 2002/96/CE. El símbolo de la papelera barrada situado sobre el aparato indica que este producto, al final de su vida útil, debe ser tratado separadamente de los residuos domésticos. El usuario es responsable de la entrega del aparato al final de su vida útil a los centros de recogida autorizados. El adecuado proceso de recogida diferenciada permite dirigir el aparato desechado al reciclaje, a su tratamiento y a su desmantelamiento de una forma compatible con el medio ambiente, contribuyendo a evitar los posibles efectos negativos sobre el ambiente y la salud, favoreciendo el reciclaje de los materiales de los que está compuesto el producto. Para información más detallada inherente a los sistemas de recogida disponibles, dirigirse al servicio local de recogida o al establecimiento donde se adquirió el producto.

FR

Directive 2002/96/CE (Déchets d'équipements électriques et électroniques - DEEE):
informations aux utilisateurs.

Ce produit est conforme à la Directive ED 2002/96/CE. Le symbole de la corbeille barrée reporté sur l'appareil indique que ce dernier doit être éliminé à part lorsqu'il n'est plus utilisable et non pas avec les ordures ménagères. L'utilisateur a la responsabilité de porter l'appareil hors d'usage à un centre de ramassage spécialisé. Le tri approprié des déchets permet d'acheminer l'appareil vers le recyclage, le traitement et l'élimination de façon écologiquement compatible. Il contribue à éviter les effets négatifs possibles sur l'environnement et sur la santé, tout en favorisant le recyclage des matériaux dont est constitué le produit. Pour avoir des informations plus détaillées sur les systèmes de ramassage disponibles, s'adresser au service local d'élimination des déchets ou au revendeur.

DE

Richtlinie 2002/96/EU (Elektro- und Elektronik-Altgeräte - WEEE):
Benutzerinformationen.

Dieses Produkt entspricht der EU Richtlinie 2002/96/EU. Das Symbol des auf dem Gerät dargestellten, durchgestrichenen Korbes gibt an, dass das Produkt am Ende seiner Nutzungsdauer gesondert vom Hausmüll zu behandeln ist. Am Ende der Nutzungsdauer ist der Benutzer für die Überantwortung des Geräts an geeignete Sammelstellen verantwortlich. Die angemessene, getrennte Müllsammmlung zwecks umweltkompatibler Behandlung und Entsorgung für den anschließenden Recycling beginn des nicht mehr verwendeten Geräts trägt zur Vermeidung möglicher schädlicher Wirkungen auf Umwelt und Gesundheit bei und begünstigt das Recycling der Materialien, aus denen das Produkt zusammengesetzt ist. Für nähere Informationen bezüglich der zur Verfügung stehenden Sammelsysteme, wenden Sie sich bitte an den örtlichen Müllentsorgungsdienst oder an das Geschäft, in dem der Kauf getätigt worden ist.

UK

Directive 2002/96/EC (Waste Electrical and Electronic Equipment - WEEE):
information for users.

This product complies with EU Directive 2002/96/EC. The crossed-out wastebasket symbol on the appliance means that at the end of its useful lifespan, the product must be disposed of separately from ordinary household wastes. The user is responsible for delivering the appliance to an appropriate collection facility at the end of its useful lifespan. Appropriate separate collection to permit recycling, treatment and environmentally compatible disposal helps prevent negative impact on the environment and human health and promotes recycling of the materials making up the product. For more information on available collection facilities, contact your local waste collection service or the shop where you bought this appliance.

NL

Richtlijn 2002/96/EG (Afgedankte Elektrische en Elektronische Apparaten - AEEA):
informatie voor de gebruikers.

Dit product voldoet aan de richtlijn EU 2002/96/EG. Het symbool van de vuilnisbak met een streep erdoor, dat op het apparaat staat, geeft aan dat het product, wanneer het wordt afgedankt, niet met het huisvuil kan worden meegegeven. Het is de verantwoordelijkheid van de gebruiker het product, op het moment dat dit wordt afgedankt, in te leveren bij een centrum voor gescheiden afvalverwerking. Een correcte gescheiden afvalverwerking, die gericht is op de recycling van het afgedankte product en die een milieuvriendelijke behandeling en vernietiging mogelijk maakt, draagt ertoe bij mogelijk negatieve effecten op het milieu en op de gezondheid te voorkomen en bevordert het hergebruik van de materialen waaruit het product bestaat. Voor meer gedetailleerde informatie met betrekking tot de voorhanden zijnde afvalverwerkingsystemen dient u zich te wenden tot de plaatselijke vuilnisdienst of tot de winkelier waar u het product heeft gekocht.

PT

Directiva 2002/96/CE (Resíduos de equipamentos eléctricos e electrónicos REEE):
informações para os utilizadores.

Este produto é conforme à Directiva EU 2002/96/CE. O símbolo do cesto barrado marcado no aparelho indica que o produto, no fim da própria vida útil, deve ser tratado separadamente do lixo doméstico. O utilizador é responsável pela entrega do aparelho, no fim da vida do mesmo, às apropriadas estruturas de recolha. A adequada recolha diferenciada para o encaminhamento sucessivo do aparelho à reciclagem, ao tratamento e ao escoamento ambientalmente compatível, contribui para evitar possíveis efeitos negativos sobre o ambiente e a saúde e favorece a reciclagem dos materiais que compõem o produto. Para informações mais detalhadas inerentes aos sistemas de recolha disponíveis, dirija-se ao serviço

local de escoamento de resíduos, ou a loja na qual efectuou a compra.

NO

WEEE-symbolet (Waste Electrical and Electronic Equipment).

Bruken av WEEE-symbolet indikerer at dette produktet ikke kan behandles som husholdningsavfall. Du vil bidra til å beskytte miljøet ved å sørge for at dette produktet blir avhendet på en forsvarlig måte. Ta kontakt med kommunale myndigheter, renovasjonsselskapet der du bor eller forretningen hvor du kjøpte produktet for å få mer informasjon om resirkulering av dette produktet.

S

Symbol för avfall från elektrisk och elektronisk utrustning (WEEE).

Märkning med WEEE-symbolen visar att produkten inte får behandlas som hushållsavfall. Genom att slänga den här produkten på rätt sätt bidrar du till att skydda miljön. Mer information om återvinning av produkten kan du få av de lokala myndigheterna, din renhållningsservice eller i affären där du köpte produkten.

FI

WEEE-merkintä (sähkö- ja elektroniikkalaiteromu).

WEEE-merkintä osoittaa, että tätä tuotetta ei voi käsitellä kotitalousjätteen tavoin. Kun huolehdit tämän tuotteen asianmukaisesta hävittämisestä, autat suojelemaan ympäristöä. Lisätietoja tämän tuotteen kierrättämisestä saat paikallisviranomaisilta, jätehuoltoyhtiöltäsi tai myymälästä josta ostit tämän tuotteen.

DK

Symbol for affald af elektrisk og elektronisk udstyr (WEEE)

Brugen af WEEE-symbolet betyder, at dette produkt ikke må behandles som husholdningsaffald. Ved at sørge for korrekt bortskaffelse af produktet medvirker du til at beskytte miljøet. Du kan få flere oplysninger om genbrug af dette produkt hos de lokale myndigheder, dit renovationselskab eller i forretningen, hvor du har købt produktet.

HU

Hulladék elektromos vagy elektronikus készüléket jelölő szimbólum.

Ez a szimbólum azt jelöli, hogy a terméket nem szabad háztartási hulladékként kezelni. A hulladékká vált termék megfelelő elhelyezésével hozzájárul a környezet védelméhez. A termék újrafelhasználásával kapcsolatban a helyi szerveknél háztartási hulladékokat elszállító vállalatnál vagy a terméket értékesítő üzletben tájékozódhat.

CZ

Symbol pro odpadní elektrický a elektronický materiál (WEEE).

Použití symbolu WEEE označuje, že tento produkt neze likvidovat jako domovní odpad. Správnou likvidaci tohoto produktu přispějete k ochraně životního prostředí. Podrobnější informace o likvidaci tohoto produktu vám podají místní úřady, společnost pro likvidaci komunálního odpadu nebo obchod, kde jste zboží zakoupili.

