

Application

Beam style	variable-spread, well-defined soft beam
Suitable for	medium/large scale venues where the position of the luminaires needs to be changed frequently
Specification level	professional range
Beam angle	10° - 56°
Typical throw distance	2 – 15m

Electrical specifications

Supply Volts	230/240V AC single phase
Max. Lamp Watts	1200W
Lamp base	GX9.5
Auto-disconnect	double-pole microswitch
Cable/connection	1.5m, 3 x 1.5mm ² flexible cable to bare ends
Standards Compliance	EN60598-2-17, CE marked

Mechanical specifications

Paint/Finish	black, white or silver epoxy powder paint
Lamp House Construction	extruded aluminium and sheet steel
Reflector	100mm diameter aluminium
Lens	150mm diameter Fresnel
Mounting & suspension	pole-operated stirrup with BS spigot for the control of pan and tilt movement
Rear handle	yes
Weight/Packed weight	7.3kg / 9.0 kg
Packed volume	0.05m ³
Filter cut size	185 x 185mm
Accessory runners	3 slots
Safety guard	included
Colour frame	metal, 185x185mm, supplied
Lamp access	hinged base
Lens access	front and via lamp access

Operational specifications

Focus adjustment	screw-focus with front and rear control
Working position	max. tilting ±90° from horizontal
Beam Shaping	using barndoor accessory
Positional adjustment	pole-operated control on pan and tilt

Lamp types

650W 230V	CP67 3200K 120 hrs / T21 3000K 900 hrs
1000W 230V	CP70 3200K 240 hrs / T19 3050K 900 hrs
1200W 230V	CP90 3200K 240 hrs / T29 3000K 480 hrs
1000W 115/120V	T11 3050K 750 hrs GE88515

LDR recommends Philips lamps

Accessories

Spare metal colour frame	■ 20100106 □ 20100106B ■ 20100106C
Spare safety guard	■ 20100206 □ 20100206B ■ 20100206C
4-leaf barndoor, aluminium	■ 20100306 □ 20100306B ■ 20100306C □ 20100306D ■ 20100306E
Safety bond	20101300

Photometric data

Spot focus	CP90									
Beam dia.	1.2	1.4	1.6	1.7	1.9	2.1	2.3	2.4	2.6	m
lux	2612	2000	1580	1280	1058	889	757	653	569	
Distance	7	8	9	10	11	12	13	14	15	m

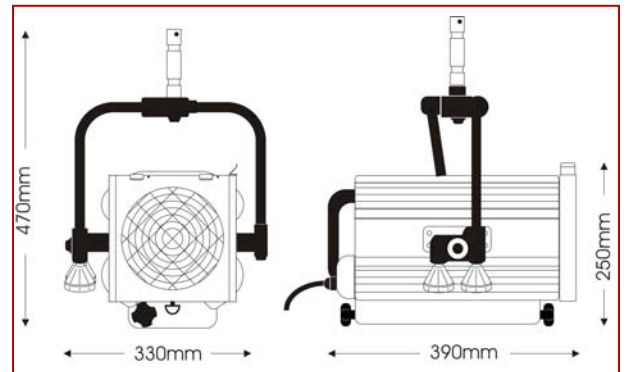
Flood focus										
Beam dia.	2.1	3.2	4.3	5.3	6.4	7.4	8.5	9.6	10.6	m
lux	3200	1422	800	512	356	261	200	158	128	
Distance	2	3	4	5	6	7	8	9	10	m

nota[®] f1200 *plus* PO mk2

650W – 1200W

pole-operated fresnel

part number : ■ 12851000 □ 12851001 ■ 12851002



Quality 1/1200W fresnel spotlight fitted with a pole-operated stirrup to control pan and tilt movement. It's ideal for all those applications where the luminaires are difficult to access and whose position needs to be changed frequently. It includes screw focus variable spread soft-edged beam, front hinging lamp tray, adjustable lamp-base and double-microswitch interlock for safe lamp replacement.

A colour frame, safety guard and 1.5m mains cable are included as standard.



Luci della Ribalta srl
Via Berna 14
46042 Castel Goffredo (MN), Italy
tel: +39 0376 771777
fax: +39 0376 772140
www.ldr.it info@ldr.it

issue: ap ©2017. LDR reserves the right to alter the specification without prior notice.