

## Application

Beam style	variable-spread, soft-edged beam
Suitable for	medium to large scale theatre, stages, worship venues, commercial or art displays
Specification level	professional range
Beam angle	6° - 58°
Typical throw distance	3 – 25m

## Electrical specifications

Supply Volts	230/240V AC single phase
Max. Lamp Watts	1200W
Lamp base	GX 9.5, adjustable
Auto-disconnect	double-pole microswitch
Cable/connection	1.5m, 3x1.5mm <sup>2</sup> flexible cable to bare ends
Standards Compliance	EN60598-2-17, CE marked

## Mechanical specifications

Paint/Finish	black, white or silver epoxy powder paint
Lamp house construction	extruded aluminium and sheet steel
Reflector	Ø100mm, aluminium
Lens	Ø200mm diameter Fresnel borosilicate
Mounting & suspension	steel stirrup with 12mm centre hole and DIN mounting. Stirrup rotates 360° around the body of the luminaire
Rear handle	yes
Weight/Packed weight	9,0kg / 11,6kg
Packed volume	0.10m <sup>3</sup>
Filter cut size	245 x 245mm
Accessory runners	3 slots
Safety guard	metal, 245x245mm, supplied
Colour frame	metal, 245x245mm, supplied
Lamp access	hinged base
Lens access	front and via lamp access

## Operational specifications

Focus adjustment	screw-focus with front and rear control
Working position	max. tilting ±90° from horizontal
Beam Shaping	using barndoor accessory
Positional adjustment	single rim-clamp tilt lock

## Lamp types

650W 230V	CP67 3200K 120 hrs / T21 3000K 900 hrs
1000W 230V	CP70 3200K 240 hrs / T19 3050K 900 hrs
1200W 230V	CP90 3200K 240 hrs / T29 3000K 480 hrs
1000W 115/120V	T11 3050K 750 hrs GE88515

## Accessories

Spare metal colour frame	■ 20100107	□ 20100107B	■ 20100107C
Spare safety guard	■ 20100207	□ 20100207B	■ 20100207C
4-leaf barndoor, aluminium	■ 20100307	□ 20100307B	■ 20100307C
	□ 20100307D	■ 20100307E	
Hook clamp	20100900		
Safety bond	20101300		

## Photometric data

Spot focus										CP90
Beam dia.	1	1.3	1.5	1.7	1.9	2.1	2.3	2.5	2.7	m
lux	2520	1750	1285	985	778	630	521	438	373	
Distance	10	12	14	16	18	20	22	24	26	m

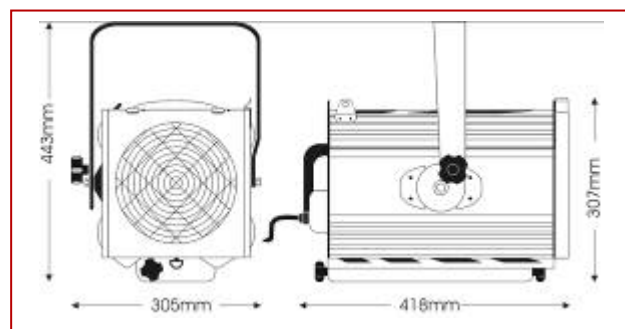
Flood focus										½ P.A
Beam dia.	2.3	3.1	3.8	4.6	5.4	6.1	6.9	7.7	8.4	m
lux	2975	1674	1071	743	546	418	331	268	222	
Distance	3	4	5	6	7	8	9	10	11	m

Data in 1/10 P.A available on request.

# nota® f1200 XL

## 650W – 1200W fresnel

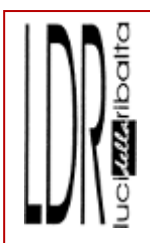
part number : ■ 10851010 □ 10851011 ■ 10851012



The best performing Fresnel 1000/1200W luminaire on the market, the Nota F1200 XL features a 200mm high quality borosilicate lens, which enhances the light output for throws up to 25m of a perfectly smooth, soft-edged beam.

It features an extremely wide beam angle and includes a front hinging lamp tray, an adjustable GX9.5 lamp-base, screw focus with front and rear control, strong tilt lock and double-microswitch interlock for safe lamp replacement.

A colour frame, safety guard and 1.5m mains cable are included as standard.



Luci della Ribalta srl  
Via Berna 14  
46042 Castel Goffredo (MN), Italy  
tel: +39 0376 771777  
[www.ldr.it](http://www.ldr.it) [info@ldr.it](mailto:info@ldr.it)

issue: ap ©2023. LDR reserves the right to alter the specification without prior notice.

**LUCI DELLA RIBALTA** PROFESSIONAL LIGHTING PRODUCTS