

## Application & Installation

Beam style	variable-spread, tight-edged beam
Suitable for	medium to large scale theatres and TV studios
Specification level	professional range
Beam angle	8° - 60°
Max. Lamp Watts	1200W
Typical throw distance	2 - 17m
Weight	15,5 kg, including colour scroller
Rigging	2 mega clamps for ø 50-60mm structures included

## Moving yoke operational data

Power supply	built-in
Pan	pan drive 16 bit with heat protection shield. Max pan angle 364° - Max speed: 30"
Tilt	tilt drive 16 bit. Max tilt angle 94° - Max speed 19"
Focus control	focus drive 8 bit; motorized control spot to flood Max speed 6 seconds
Setup	built-in microprocessor with LED display and buttons
Power supply	rated voltage: 95-264 VAC, Neutrik Powercon connector. Power cable included
DMX in + out	standard Neutrik 5-pin connectors
DMX channels	1 = pan / 2 = pan fine / 3 = tilt / 4 = tilt fine / 5 = focus / 6 = colour / 7 = colour motor speed / 8 = colour fan speed
Fuse	1,5A 32mm

## Colour Scroller Operational Data

Gel string capacity	8, 11, 16 and 21 frames – 21 frames supplied
Scroll speed	min 1,9" head to tail with 21 frames
Gel string cooling system	single fan with 5 preset variable speeds or remotely controlled using a DMX signal (dedicated channel)
Motor	2 DC servo motors directly fixed to the rollers (NO GEAR BOX)
DMX/Power in	XLR 4-pin male - DMX 512 and 24V DC power
DMX/Power out	XLR 4-pin female - DMX 512 and 24V DC power
DMX channels	3 to 5 DMX channels required if remote selection of Reset, Scroll Speed, Fan Speed or Operational Modes are used.
Operational modes	continuous or step mode, selectable by UP and DOWN buttons
Colour filters reference	LEE: 130 Clear, 256 Half Hampshire Frost, 152 Pale Gold, 176 Loving Amber, 020 Medium Amber, 104 Deep Amber, 103 Straw, 101 Yellow, 179 Chrome Orange, 128 Bright Pink, 048 Rose Purple, 113 Magenta, 026 Bright Red, 192 Flesh Pink, 126 Mauve, 115 Peacock Blue, 117 Steel Blue, 089 Moss Green, 119 Dark Blue, 181 Congo Blue, 201 Full C.T. Blue
Net weight of Xpress 19	3,2 kg

## Lamp types

1000W	CP70 3200K 240 hrs / T19 3050K 900 hrs
1200W	CP90 3200K 240 hrs / T29 3000K 480 hrs

## LDR recommends Philips lamps

### Accessories

4-leaf barndoor, aluminium	20100319	
Spare gel string 21 frames	20620019	LEE filter, standard sequence
Spare gel string 21 frames	20621019	LEE filter, special sequence

## Photometric data

Spot focus		CP90									
Beam dia.		1.3	1.4	1.5	1.7	1.8	2.0	2.1	2.2	2.4	m
lux		3022	2448	2023	1700	1449	1249	1088	956	847	
Distance		9	10	11	12	13	14	15	16	17	m

### Flood focus

Beam dia.		2.3	3.5	4.6	5.8	6.9	8.1	9.2	10.4	11.5	m
lux		2440	1084	610	390	271	199	153	120	98	
Distance		2	3	4	5	6	7	8	9	10	m

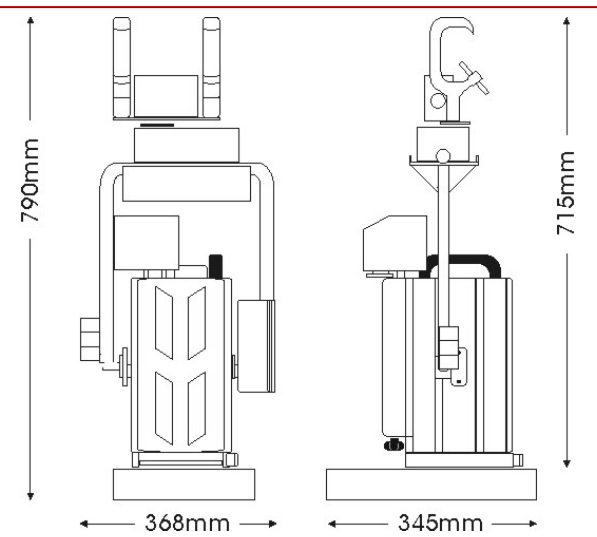
LUCI DELLA RIBALTA PROFESSIONAL LIGHTING PRODUCTS

# nota® pc1200 moving

## 650W – 1200W

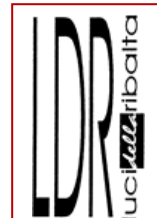
### moving PC+colour scroller

part number : ■14852000



The perfect combination of the extremely popular Nota pc1200 pebble-convex luminaire, the totally reliable Xpress 19 colour scroller and a remote control yoke. Nota pc1200 Moving is an extremely high-specification product featuring pan, tilt and zoom remote control, plus a vast choice of options for the professionals.

Standard delivery includes built-in PSU, Xpress 19 colour scroller, safety cable and 2 mega clamps for rigging.



Luci della Ribalta srl  
Via Berna 14  
46042 Castel Goffredo (MN), Italy  
tel: +39 0376 771777  
fax: +39 0376 772140  
[www.ldr.it](http://www.ldr.it) [info@ldr.it](mailto:info@ldr.it)

issue: ap ©2010. LDR reserves the right to alter the specification without prior notice.