

Application

Beam style	variable-spread, tight-edged beam
Suitable for	medium to large scale theatres, stages, worship venues, commercial or art displays
Specification level	professional range
Beam angle	6° - 64°
Typical throw distance	3 – 25m

Electrical specifications

Supply Volts	230/240V AC single phase
Max. Lamp Watts	1200W
Lamp base	GX 9.5, adjustable
Auto-disconnect	double-pole microswitch
Cable/connection	1.5m, 3 x 1.5mm ² flexible cable to bare ends
Standards Compliance	EN60598-2-17, CE marked

Mechanical specifications

Paint/Finish	black, white or silver epoxy powder paint
Lamp House Construction	extruded aluminium and sheet steel
Reflector	Ø100mm dia, aluminium
Lens	Ø200mm dia. Pebble-Convex borosilicate
Mounting & suspension	steel stirrup with 12mm centre hole and DIN mounting. Stirrup rotates 360° around the body of the luminaire
Rear handle	yes
Weight/Packed weight	10.3kg / 12,9kg
Packed volume	0.11m ³
Filter cut size	245 x 245mm
Accessory runners	3 slots
Safety guard	metal, 245x245mm, supplied
Colour frame	metal, 245x245mm, supplied
Lamp access	hinged base
Lens access	front and via lamp access

Operational specifications

Focus adjustment	screw-focus with front and rear control
Working position	max. tilting ±90° from horizontal
Beam Shaping	using barndoor accessory
Positional adjustment	single rim-clamp tilt lock

Lamp types

650W 230V	CP67 3200K 120 hrs / T21 3000K 900 hrs
1000W 230V	CP70 3200K 240 hrs / T19 3050K 900 hrs
1200W 230V	CP90 3200K 240 hrs / T29 3000K 480 hrs
1000W 115/120V	T11 3050K 750 hrs GE88515

Accessories

Spare metal colour frame	■ 20100107 □ 20100107B ■ 20100107C
Spare safety guard	■ 20100207 □ 20100207B ■ 20100207C
4-leaf barndoor, aluminium	■ 20100307 □ 20100307B ■ 20100307C □ 20100307D ■ 20100307E
Hook clamp	20100900
Safety bond	20101300

Photometric data

Spot focus	CP90									
Beam dia.	1	1.3	1.5	1.7	1.9	2.1	2.3	2.5	2.7	m
lux	3518	2442	1794	1374	1086	880	727	611	524	
Distance	10	12	14	16	18	20	22	24	26	m

Flood focus	½ P.A									
Beam dia.	2.6	3.5	4.3	5.2	6.1	7	7.8	8.7	9.6	m
lux	2590	1457	932	647	476	364	288	233	192	
Distance	3	4	5	6	7	8	9	10	11	m

Data in 1/10 P.A available on request.

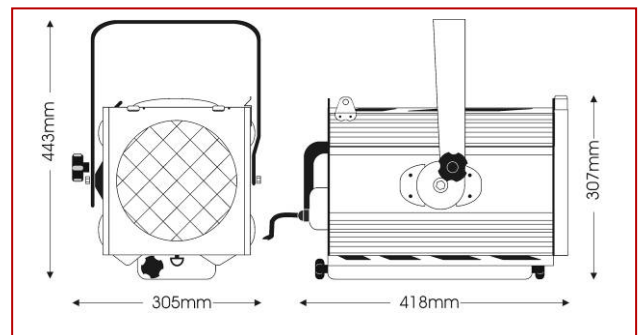
LUCI DELLA RIBALTA PROFESSIONAL LIGHTING PRODUCTS

nota[®] pc1200 XL

650W – 1200W

pebble-convex

part number : ■ 10852010 □ 10852011 ■ 10852012

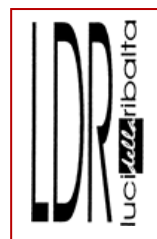


The best performing pebble-convex 1000/1200W luminaire on the market, the Nota PC1200 XL features a 200mm high quality borosilicate lens, which enhances the light output for throws up to 25m of a perfectly smooth, tight-edged beam.

It features an extremely wide beam angle and includes a front hinging lamp tray, an adjustable GX9.5 lamp-base, screw focus with front and rear control, strong tilt lock and double-microswitch interlock for safe lamp replacement.

A colour frame, safety guard and 1.5m mains cable are included as standard.

Specials: also available with polished pebble convex (PPC) lens part # 10852110



Luci della Ribalta srl
Via Berna 14
46042 Castel Goffredo (MN), Italy
tel: +39 0376 771777
www.ldr.it info@ldr.it

issue: ap ©2023. LDR reserves the right to alter the specification without prior notice.