

Application

Beam style	asymmetric flood
Suitable for	small-scale theatre, cyclorama lighting
Specification level	professional range
Typical throw distance	2 - 5m

Electrical specifications

Supply Volts	230/240V AC single phase
Max. Lamp Watts	500W
Lamp base	R7s
Auto-disconnect	no
Cable/connection	1.5m, 3x1.5mm ² flexible cable to bare ends
Standards Compliance	EN60598-2-17, CE marked

Mechanical specifications

Paint/Finish	black/silver/white epoxy powder paint
Lamp House Construction	1-compartment. A full range of units and accessories for multiple row cyclorama lighting is available to separate order
Reflector	asymmetrical, aluminium
Mounting & suspension	steel stirrup with 12mm centre hole and DIN mounting
Weight/Packed weight	2kg / 2.5kg
Packed volume	0.017m ³
Filter cut size	244 x 195mm
Accessory runners	3 slots
Safety guard/glass	optional accessory
Colour frame	metal, 244 x 195mm supplied
Lamp access	front access

Operational specifications

Working position	max. tilting $\pm 180^\circ$ from vertical
Positional adjustment	tilt lock on one side

Lamp types

160W	Plusline ES Small R7s 230V 3100lm 2.000 hrs
240W	Plusline ES Small R7s 230V 4900lm 2.000 hrs
400W	Plusline ES Small R7s 230V 8700lm 2.000 hrs

LDR recommends Philips lamps

Accessories

Lamps	see above
Spare metal colour frame	■ 20100120 □ 20100120B ■ 20100120C
Clear safety glass	20101420
Safety guard	20100220
4-leaf barndoor	■ 20100420 □ 20100420B ■ 20100420C □ ■ 20100420D ■ 20100420E
Hook clamp	20100900
Safety bond	20101300

For full info on Rima modular system please see Rima A500 no-stirrup data sheet

Photometric data

Horizontal	ES400									
Beam dia.	3.1	4.7	6.3	7.8	9.4	10.9	12.5	14.1	15.6	m
lux	1585	704	396	254	176	129	99	78	63	
Distance	2	3	4	5	6	7	8	9	10	m

Vertical

Beam dia.	1.9	2.9	3.8	4.8	5.7	6.7	7.6	8.6	9.5	m
lux	2151	956	538	344	239	176	134	106	86	
Distance	2	3	4	5	6	7	8	9	10	m

rima® A500 F

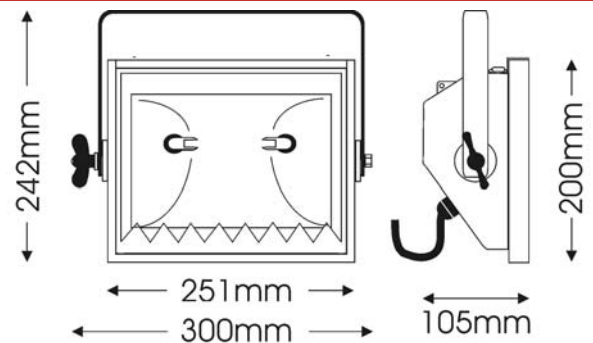
200 - 500W

asymmetric floodlight

part number: ■ 10506050 □ 10506051 ■ 10506052



CE



Stylish and high specification 500W asymmetrical floodlights, ideal for professional usage in all cyclorama-type lighting applications.

Rima A500F is designed for usage as single module flood, but a large choice of different models and accessories is available for the creation of multiple rows or square-battens. Rima A500 is delivered complete with colour frame and 1.5m mains cable.

Available to special order with extended front chassis for longer gel life.

LDR
lucidella ribalta

Luci della Ribalta srl
Via Berna 14
46042 Castel Goffredo (MN), Italy
tel: +39 0376 771777
fax: +39 0376 772140
www.ldr.it info@ldr.it

issue: ap ©2014. LDR reserves the right to alter the specification without prior notice.