

Application

Beam style	asymmetric flood
Suitable for	architectural, display and retail areas
Specification level	professional range
Typical throw distance	2 - 5m

Electrical specifications

Supply Volts	230/240V AC single phase 50/60 Hz
Max. Lamp Watts	70W
Lamp base	Rx7s
Auto-disconnect	no
Cable/connection	1.5m, 3 x 1.5mm ² flexible cable to bare ends
PSU	electronic power supply unit
Power factor correction	0,95
Standards Compliance	EN60598-2-17, CE marked

Mechanical specifications

Paint/Finish	black/silver/white epoxy powder paint
Lamp House Construction	1-compartment, moulded steel-sheet
Reflector	asymmetrical, 99% pure aluminium
Mounting & suspension	steel stirrup with 12mm centre hole and DIN mounting holes
Weight/Packed weight	3,8kg / 5,5kg
Overall dimensions	340mm (w) x 105mm (d) x max 275mm(h)
Packed volume	0.069m ³
Filter cut size	244 x 195mm
Accessory runners	3 slots
Safety glass	included
Colour frame	metal, 244 x 195mm supplied
Lamp access	front access

Operational specifications

Positional adjustment	tilt lock on one side
-----------------------	-----------------------

Lamp types

70W	CDM-TD 70/830 Rx7S 3000K 15.000 hrs
70W	CDM-TD 70/942 Rx7S 4200K 15.000 hrs

LDR recommends Phillips lamps

Accessories

Lamps	see above
Spare metal colour frame	■ 20100120 □ 20100120B ■ 20100120C
Safety guard	20100220
Spare clear safety glass	20101420
4-leaf barndoor	■ 20100420 □ 20100420B ■ 20100420C □■ 20100420D ■ 20100420E
Hook clamp	20100900
Safety bond	20101300
Electrical adapter	see separate literature
Mechanical track adapter	see separate literature

Photometric data

CDM-TD 70

Horizontal

Beam dia.	3,1	4,7	6,2	7,8	9,4	11	12,5	14	m
lux	780	347	195	125	87	64	49	39	
Distance	2	3	4	5	6	7	8	9	m

Vertical

Beam dia.	1,9	2,8	3,7	4,7	5,6	6,5	7,5	8,4	m
lux	1050	467	263	168	117	86	66	52	
Distance	2	3	4	5	6	7	8	9	m

rima[®] A70

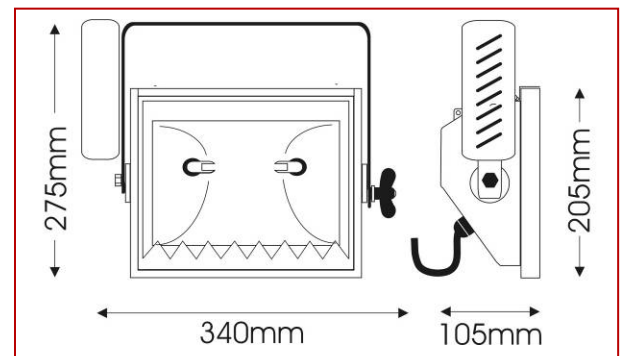
70W

discharge asymmetric floodlight

part number: ■ 10076050 □ 10076051 ■ 10076052



CE



Stylish and high specification 70W asymmetrical discharge floodlight, ideal for usage in all those architectural, display and retail areas applications where a powerful yet low consumption and long lasting beam of light is required.

The unit is supplied with an electronic ballast unit. A safety glass, a colour frame and 1.5m mains cable are included in standard delivery. Available to special order in any colour from the RAL range.

LDR
lucidella-ribalta

Luci della Ribalta srl
Via Berna 14
46042 Castel Goffredo (MN), Italy
tel: +39 0376 771777
fax: +39 0376 772140
www.ldr.it info@ldr.it

Issue: ap ©2014. LDR reserves the right to alter the specification without prior notice.