

Application

Beam style	variable-spread, soft-edged beam
Suitable for	architectural, display and retail areas
Specification level	professional range
Beam angle	7° - 63°
Typical throw distance	2 - 20m

Electrical specifications

Supply Volts	208/230/240V AC single phase 50/60 hZ
Ballast	built-in, power factor corrected
Max. Lamp Watts	250W
Lamp base	GY9.5
Cable/connection	1.5m, 3x1.5mm ² flexible cable to bare ends
Standards Compliance	EN60598-2-17, CE marked

Mechanical specifications

Paint/Finish	black, white or silver epoxy powder paint
Lamp House Construction	extruded aluminium and sheet steel
Reflector	55mm diameter glass
Lens	120mm diameter Fresnel
Mounting & suspension	steel stirrup with 12mm centre hole and DIN mounting
Handle	rear
Weight/Packed weight	8.6 kg / 10 kg
Packed volume	0.05m ³
Filter cut size	150 x 150mm
Accessory runners	3 slots
Safety guard	accessory
Colour frame	metal, 150 x 150 mm, supplied
Lamp access	removable top panel
Lens access	front and via lamp access

Operational specifications

Focus adjustment	slide focus with control underneath
Beam Shaping	4-leaf barndoor
Positional adjustment	single rim-clamp tilt lock
Working position	max. tilting $\pm 70^\circ$ from horizontal

Lamp types

8500K	Philips MSD 250/2 GY9.5 3000 hrs
-------	----------------------------------

LDR recommends Philips lamps

Accessories

Spare metal colour frame	■ 20100103 □ 20100103B ■ 20100103C
4-leaf barndoor	■ 20100303 □ 20100303B ■ 20100303C □ 20100303D ■ 20100303E
Hook clamp	20100900
Safety bond	20101300
Colour scroller Express 13	20106013 with mounting plate 20600003

Photometric data

Spot focus	Philips MSD 250/2									
Beam dia.	0.2	0.4	0.5	0.6	0.7	0.9	1	1.1	1.2	m
lux	23150102895788	3704	2572	1890	1447	1143	926			
Distance	2	3	4	5	6	7	8	9	10	m

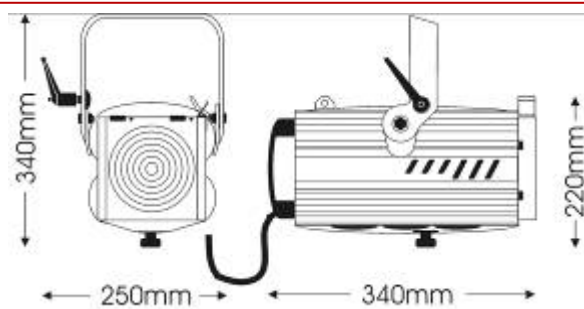
Flood focus

Beam dia.	2.5	3.7	4.9	6.1	7.4	8.6	9.8	11	12.3	m
lux	3300	1467	825	528	367	269	206	163	132	
Distance	2	3	4	5	6	7	8	9	10	m

suono[®] f250 msd

250W, 208/230/240V
discharge fresnel

part number : ■ 10201080 □ 10201081 ■ 10201082



High power discharge Fresnel spotlight for display and internal architectural lighting applications. Suono f250 uses a 250W MSD lamp and produces a soft-edged beam with a variable beam angle ranging from 7° to 63°.

A multi-frequency built-in ballast, colour frame and 1.5m mains cable are all supplied as standard. Available to special order in any colour from the RAL range.