

## Application

Beam style	variable-spread, tight-edged beam	
Suitable for	architectural and commercial applications: shops, churches, multi-purposes halls, sport-halls, art galleries, museums	
Specification level	professional range	
Beam angle	12°- 65°	½ peak angle
Typical throw distance	2 – 12m	

## Electrical specifications

Light source	80W LED, white	
Supply Volts	90/305V AC single phase	
Frequency / Current	50/60Hz – 0.3A	
Power consumption	90W at full power	
Cable/connection	1.5m, 3x1.5mm <sup>2</sup> flexible cable to bare ends	
Standards Compliance	EN60598-2-17, CE marked	

## Mechanical specifications

Lamp House Construction	aluminium and steel sheet	
Mounting & suspension	steel stirrup 12mm centre hole	
Weight/Packed weight	4.3 kg / 4.9kg	
Colour frame	a colour filter can be fitted to the front of the unit by removing the front ring or by using a colour frame which is available as an optional extra	

## Operational specifications

Focus adjustment	slide focus with control underneath	
Beam Shaping	using barndoor accessory	
Dimming	manual, from rear panel	
Ambient temperature	35°C max.	

## Optical specifications

Optical system	120mm diameter Pebble-convex lens	
LED array	80W, white, round-shaped, replaceable	
Rated LED life	50,000 hours at 25°C	
Beam colour temperature	3200K	
CRI (Colour Rendering Index)	>90	

## Accessories

Spare metal colour frame	■ 20100130	□ 20100130B	□ 20100130C
4-leaf barndoor	■ 20100330	□ 20100330B	□ 20100330C
Hook clamp	20100900	Safety bond	20101300

## Photometric data

Spot											3200K
Beam dia.	0.4	0.6	0.8	1.1	1.3	1.5	1.7	1.9	2.1	m	
lux	13125	5833	3281	2100	1458	1071	820	623	525		
Distance	2	3	4	5	6	7	8	9	10	m	

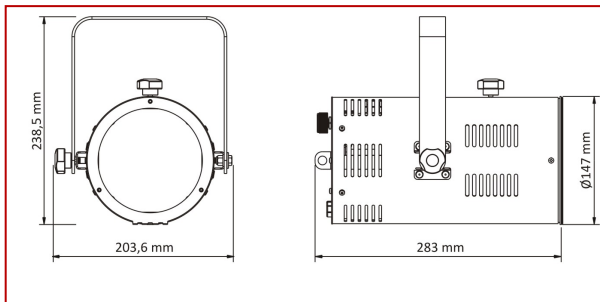
Flood											
Beam dia.	2.6	3.9	5.2	6.5	7.8	9.1					m
lux	1706	758	426	273	190	139					
Distance	2	3	4	5	6	7					m

# tondo pc

## 80W, 90/305VAC

### led pebble-convex luminaire

part # ■ 03082000 □ 03082001 □ 03082002 3200K



Stylish, compact and extremely high efficiency 80W, on/off led pebble-convex luminaire producing a powerful, tight-edged, warm beam of light.

Its attractive design makes it the obvious choice in shop displays, art galleries and architectural applications where an easy, individual dimming option is an added bonus.

Tondo is fitted with a manual dimmer which allows a precise, individual control of the beam.

A colour filter can be fitted to the Tondo by removing the front ring while optional accessories include a colour frame and 4 leaf barndoor.

Tondo is available in black, white and silver finish but can be obtained on demand in any colour of the RAL range.