

Application & Installation

Beam style	variable-spread, soft-edged beam
Suitable for	medium to large scale theatres and TV studios
Specification level	professional range
Beam angle	10° - 70°
Max. Lamp Watts	2000W
Typical throw distance	3 – 20m
Weight	20.0 kg, including colour scroller
Rigging	2 mega clamps for ø 50-60mm structures included

Moving yoke operational data

Power supply	built-in
Pan	pan drive 16 bit with heat protection shield. Max pan angle 364° - Max speed: 30"
Tilt	tilt drive 16 bit. Max tilt angle 94° - Max speed 19"
Focus control	focus drive 8 bit; motorized control spot to flood Max speed: 6"
Setup	built-in microprocessor with LED display and buttons
Power supply	rated voltage: 95-264 VAC, Neutrik Powercon connector. Power cable included
DMX in + out	standard Neutrik 5-pin connectors
DMX channels	1 = pan / 2 = pan fine / 3 = tilt / 4 = tilt fine / 5 = focus / 6 = colour / 7 = colour motor speed / 8 = colour fan speed
Fuse	1,5A 32mm slow blow

Colour Scroller Operational Data

Gel string capacity	8, 11, 16 and 21 frames – 21 frames supplied
Scroll speed	min.3.2" (head to tail with 21 frames)
Gel string cooling system	double fan with 5 preset variable speeds or remotely controlled using a DMX signal (dedicated channel)
Motor	2 DC servo motors directly fixed to the rollers (NO GEAR BOX)
DMX/Power in	XLR 4-pin male - DMX 512 and 24V DC power
DMX/Power out	XLR 4-pin female - DMX 512 and 24V DC power
DMX channels	3 to 5 DMX channels required if remote selection of Reset, Scroll Speed, Fan Speed or Operational Modes are used.
Operational modes	continuous or step mode, selectable by UP and DOWN buttons
Colour filters reference	LEE: 130 Clear, 256 Half Hampshire Frost, 152 Pale Gold, 176 Loving Amber, 020 Medium Amber, 104 Deep Amber, 103 Straw, 101 Yellow, 179 Chrome Orange, 128 Bright Pink, 048 Rose Purple, 113 Magenta, 026 Bright Red, 192 Flesh Pink, 126 Mauve, 115 Peacock Blue, 117 Steel Blue, 089 Moss Green, 119 Dark Blue, 181 Congo Blue, 201 Full C.T. Blue
Net weight of Xpress 26	3,4 kg

Lamp types

2000W G22	CP55, CP75, 3200k 480 hrs ; CP92 3200k 400 hrs
2500W G22	CP91 3200K 400 hrs

LDR recommends Philips lamps

Accessories

4-leaf barndoor, aluminium	20100326	
Spare gel string 21 frames	20620026	LEE filter, standard sequence
Spare gel string 21 frames	20621026	LEE filter, special sequence

Photometric data

Spot focus	CP75									
Beam dia.	2.3	2.5	2.7	2.9	3.1	3.3	3.5	3.7	3.9	m
lux	1563	1331	1148	1000	879	779	694	623	563	
Distance	12	13	14	15	16	17	18	19	20	m

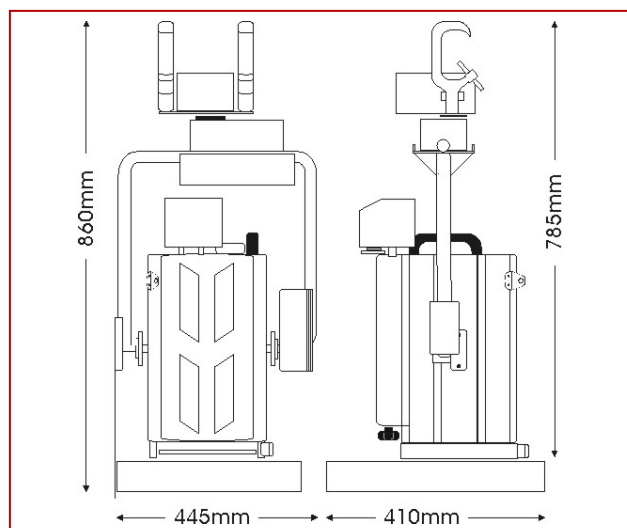
Flood focus										
Beam dia.	4.2	5.6	7.0	8.4	9.8	11.2	12.6	14.0	15.4	m
lux	2200	1238	792	550	404	309	244	198	164	
Distance	3	4	5	6	7	8	9	10	11	m

tono® f2000 moving

2000W

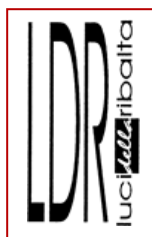
moving fresnel + colour scroller

part number : ■14901000



The perfect combination of the extremely popular Tono f2000 fresnel luminaire, with the totally reliable Xpress 26 colour scroller and a remote control yoke. Tono f2000 Moving is an extremely high-specification product featuring pan, tilt and zoom remote control, plus a vast choice of options for the professionals.

Standard delivery includes built-in PSU, Xpress 26 colour scroller, built-in safety bond and 2 mega clamps for rigging.



Luci della Ribalta srl
Via Berna 14
46042 Castel Goffredo (MN), Italy
tel: +39 0376 771777
fax: +39 0376 772140
www.ldr.it info@ldr.it

issue: ap ©2010. LDR reserves the right to alter the specification without prior notice.