

Application

Beam style	variable-spread, well-defined soft beam
Suitable for	large scale theatres and venues where the position of the luminaires needs to be changed frequently
Specification level	professional range
Beam angle	10° - 70°
Typical throw distance	3 – 20m

Electrical specifications

Supply Volts	230/240V AC single phase
Max. Lamp Watts	2500W
Lamp base	G22 standard, GY16 on request
Auto-disconnect	double-pole microswitch
Cable/connection	1.5m, 3x2.5mm ² flexible cable to bare ends
Standards Compliance	EN60598-2-17, CE marked

Mechanical specifications

Paint/Finish	black epoxy powder paint
Lamp House Construction	extruded aluminium and sheet steel
Reflector	87mm diameter borosilicate glass
Lens	200mm diameter Fresnel
Mounting & suspension	pole-operated stirrup with BS spigot for the control of pan and tilt movement
Rear handle	yes
Weight/Packed weight	10,4kg / 13,6kg
Packed volume	0.10m ³
Filter cut size	245 x 245mm
Accessory runners	3 slots
Safety guard	included
Colour frame	metal, 245x245mm, supplied
Lamp access	hinged base
Lens access	front and via lamp access

Operational specifications

Focus adjustment	screw-focus with front and rear control
Working position	max. tilting $\pm 90^\circ$ from horizontal
Beam Shaping	using barndoor accessory
Positional adjustment	pole-operated control on pan and tilt

Lamp types

2000W G22	CP55, CP75, 3200k 480 hrs CP92 3200k 400 hrs
2000W GY16	CP72 3200K 480 hrs
2500W G22	CP91 3200K 400 hrs

Accessories

Spare metal colour frame	20100107
Spare safety guard	20100207
4-leaf barndoor, aluminium	20100307
Safety bond	20101300

Photometric data

Spot focus		CP75								
Beam dia.	2.3	2.5	2.7	2.9	3.1	3.3	3.5	3.7	3.9	m
lux	1563	1331	1148	1000	879	779	694	623	563	
Distance	12	13	14	15	16	17	18	19	20	m

Flood focus

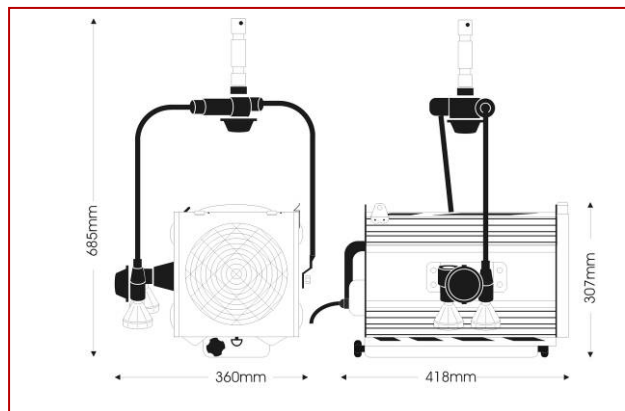
Beam dia.	4.2	5.6	7.0	8.4	9.8	11.2	12.6	14.0	15.4	m
lux	2200	1238	792	550	404	309	244	198	164	
Distance	3	4	5	6	7	8	9	10	11	m

LUCI DELLA RIBALTA PROFESSIONAL LIGHTING PRODUCTS

tono[®] f2000 plus P.O.

2000W – 2500W
pole-operated fresnel

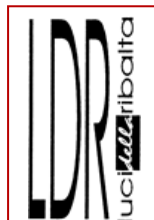
part number :12901000



Compact, lightweight and powerful 2/2.5KW fresnel spotlight. It features an extremely wide beam angle and includes a height adjustable, robust G22 lamp-base, screw focus, improved tilt lock and double-microswitch interlock for safe lamp replacement.

It's ideal for all those applications in larger venues where the luminaires are difficult to access and whose position needs to be changed frequently. A colour frame, safety guard and 1.5m mains cable are included as standard.

On request also available with GY16 lamp-base



Luci della Ribalta srl
Via Berna 14
46042 Castel Goffredo (MN), Italy
tel: +39 0376 771777
fax: +39 0376 772140
www.ldr.it info@ldr.it

issue: ap ©2020. LDR reserves the right to alter the specification without prior notice.